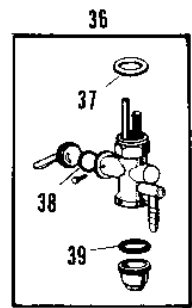
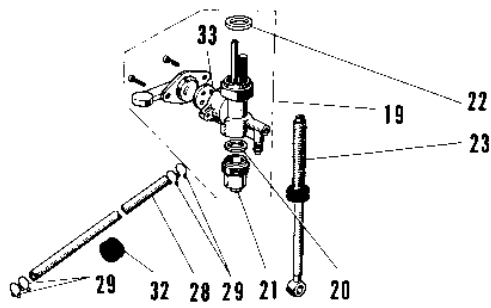
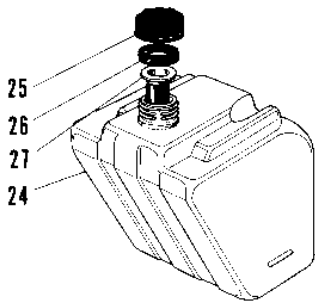
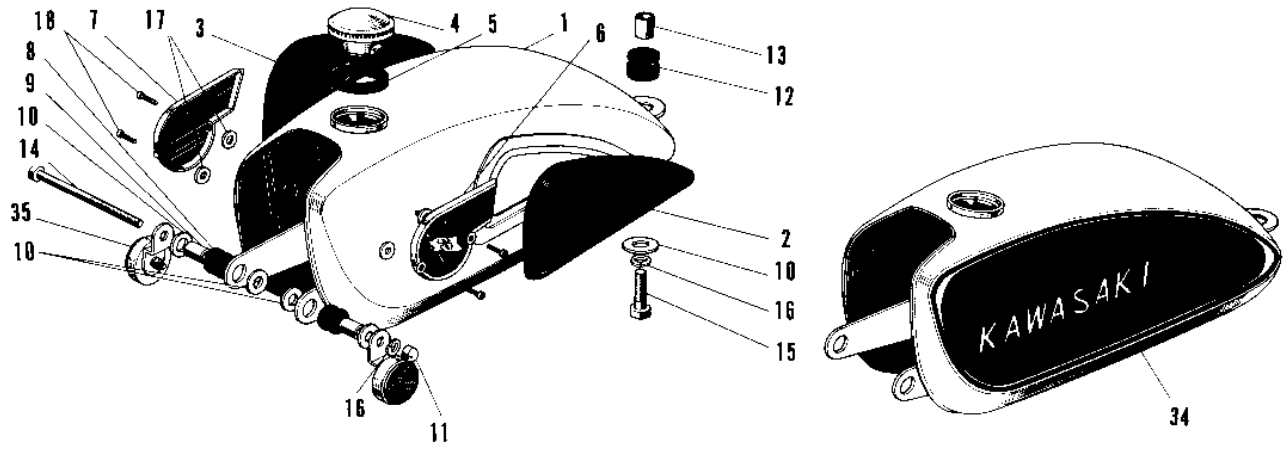


1967 Roadrunner PARTS DIAGRAM

FUEL TANK/OIL TANK

Re



1967 Roadrunner PARTS LIST

FUEL TANK/OIL TANK

ITEM NAME	PART NUMBER	QUANTITY
UNAVAILABLE IN PRICE BOOK (Ref # 1)	51001-010-14	1
TANK-FUEL,C.RED (Ref # 1)	51001-010-24	1
UNAVAILABLE IN PRICE BOOK (Ref # 1)	51001-010-27	1
GRIP KNEE L.H (Ref # 2)	51061-005	1
GRIP KNEE R.H (Ref # 3)	51062-004	1
CAP,FUEL TANK LOCKING (Ref # 4)	51048-006	1
GASKET FUEL TANK CAP (Ref # 5)	51059-003	1
EMBLEM FUEL TANK L.H (Ref # 6)	56013-006	1
EMBLEM FUEL TANK L.H (Ref # 6)	56013-010	1
EMBLEM FUEL TANK R.H (Ref # 7)	56014-007	1
EMBLEM FUEL TANK R.H (Ref # 7)	56014-010	1
DAMPER RUBB TANK FRNT (Ref # 8)	92075-019	2
SPACER FUEL TANK MONT (Ref # 9)	51065-001	2
WASHER,8X26X2.3 (Ref # 10)	92022-1564	5
NUT FUEL TANK FRONT (Ref # 11)	92020-007	1
DAMPER RUBB TANK REAR (Ref # 12)	92075-030	1
SPACER FUEL TANK REAR (Ref # 13)	92027-034	1
BOLT SMALL (Ref # 14)	114G0812	1
BOLT,FLANGED,8X35 (Ref # 15)	92001-1577	1
WASHER SPRING 8MM (Ref # 16)	461F0800	2
SPACER FL TANK EMBLEM (Ref # 17)	56025-002	4
SCREW PAN HEAD 4X8 (Ref # 18)	220E0408	4
TAP-ASSY,FUEL (Ref # 19)	51023-1123	(1
GASKET FUEL COCK CUP (Ref # 20)	51037-003	1
CUP FUEL COCK (Ref # 21)	51036-004	1
GASKET FUEL COCK JONT (Ref # 22)	92065-016	1
PIPE FUEL (Ref # 23)	51044-009	1
TANK OIL (Ref # 24)	52001-003	1
CAP OIL TANK (Ref # 25)	52003-002	1

1967 Roadrunner PARTS LIST

FUEL TANK/OIL TANK

ITEM NAME	PART NUMBER	QUANTITY
GASKET OIL TANK CAP (Ref # 26)	92065-020	1
STRAINER OIL TANK CAP (Ref # 27)	52004-002	1
PIPE OIL TANK (Ref # 28)	92059-006	1
CLAMP FUEL PIPE (Ref # 29)	92037-010	4
GROMMET PIPE (Ref # 32)	92071-038	1
GASKET FUEL COCK LEV (Ref # 33)	92065-014	1
TANK-FUEL,C.RED (Ref # 34)	51001-011-24	1
UNAVAILABLE IN PRICE BOOK (Ref # 34)	51001-011-27	1
REFLECTOR REFLEX (Ref # 35)	28001-004	2
TAP-ASSY,FUEL (Ref # 36)	51023-1123	1
GASKET,FUEL TAP JOINT (Ref # 37)	11009-1567	1
'O' RING FUEL COCK (Ref # 38)	92065-062	1
GASKET FUEL COCK CUP (Ref # 39)	51037-008	1