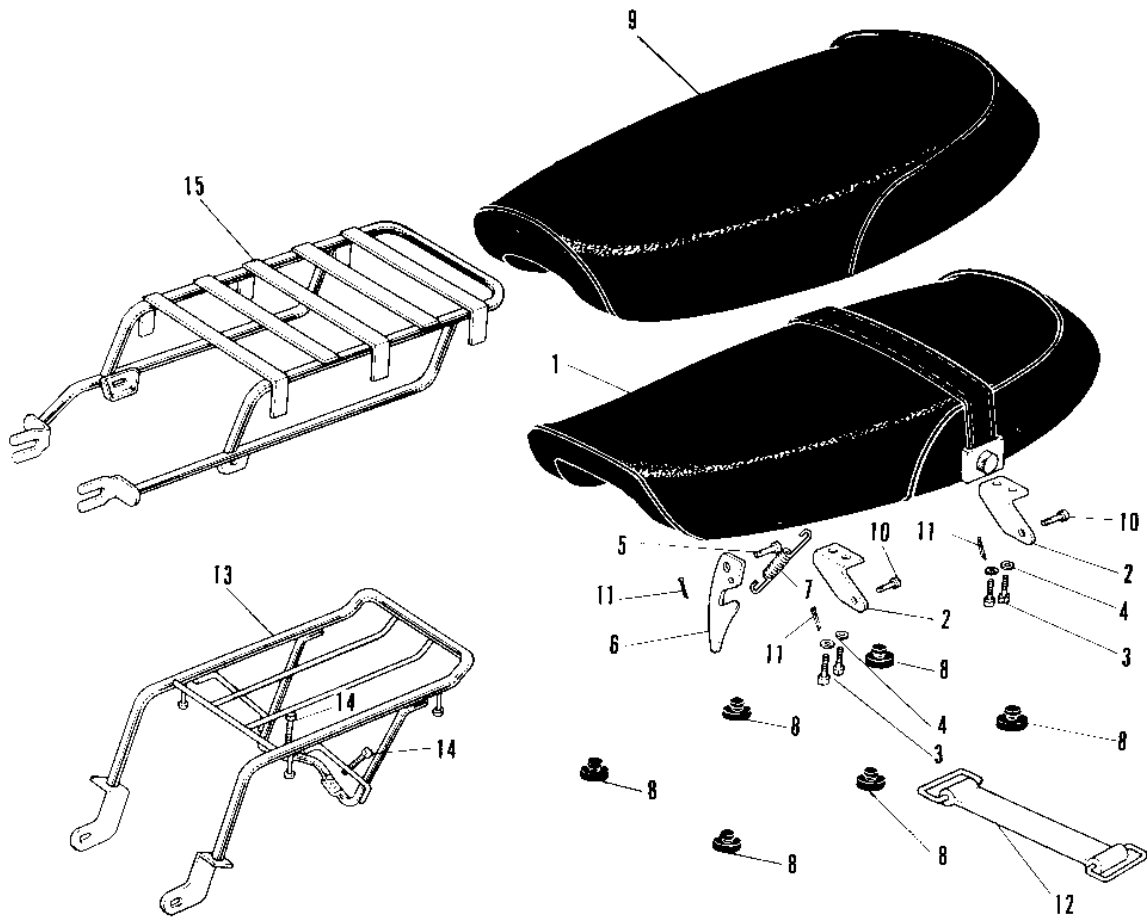


1968 Roadrunner PARTS DIAGRAM

SEAT



1968 Roadrunner PARTS LIST

SEAT

ITEM NAME	PART NUMBER	QUANTITY
SEAT DUAL (Ref # 1 ~ 8)	53001-021	1
HINGE (Ref # 2)	53009-003	2
BOLT-UPSET (Ref # 3)	112G0614	4
WASHER SPRING 6MM (Ref # 4)	461F0600	4
RIVET 6X10 (Ref # 5)	530C0610	1
UNAVAILABLE IN PRICE BOOK (Ref # 6)	53008-001	1
SPRING (Ref # 7)	53012-001	1
DAMPER RUBB DUAL SEAT (Ref # 8)	92075-023	6
PIN (Ref # 10)	92043-033	2
PIN COTTER 2.0X15 (Ref # 11)	550D2015	2
BAND TOOL (Ref # 12)	92072-012	1