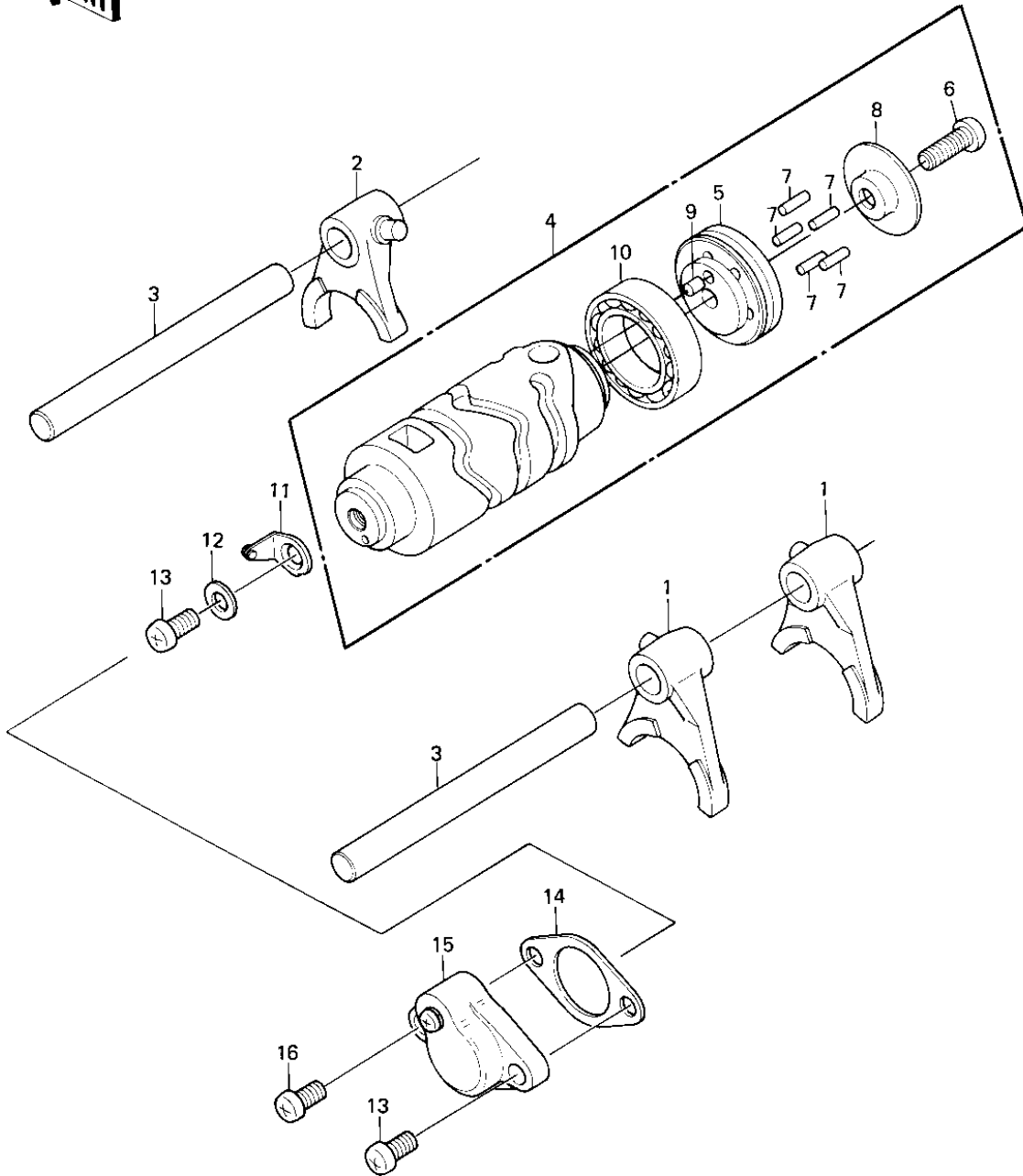


1980 KE175 PARTS DIAGRAM

GEAR CHANGE DRUM & FORKS ('80-'81 KE175-



1980 KE175 PARTS LIST

GEAR CHANGE DRUM & FORKS ('80-'81 KE175-

ITEM NAME	PART NUMBER	QUANTITY
FORK,SHIFT,LOW,2ND,3R (Ref # 1)	13140-1013	2
FORK,SHIFT 4TH&TOP (Ref # 2)	13140-1014	1
ROD-SHIFT,10X102 (Ref # 3)	49047-1060	2
DRUM ASSY,GEAR CHANGE (Ref # 4)	13239-1029	1
DRUM ASSY,GEAR CHANGE (Ref # 4)	13239-1039	1
HOLDER,CHANGE DRM PIN (Ref # 5)	13091-1070	1
HOLDER,DRUM PIN (Ref # 5)	13091-1082	1
SCREW PAN HEAD 6X30 (Ref # 6)	220B0630	1
BOLT,SOCKET,6X30,BLAC (Ref # 6)	120S0630	1
PIN,GEAR CHANGE DRUM (Ref # 7)	92042-042	5
PLATE CHANGE DRUM PIN (Ref # 8)	13142-008	1
PIN-DOWEL,4X6 (Ref # 9)	610A0406	1
BEARING,BALL,#6905 (Ref # 10)	92045-036	1
BEARING BALL #6004 (Ref # 10)	601B6004	1
ROTOR,NEUTRAL INDICTR (Ref # 11)	21007-1003	1
WASHER PLAIN 6MM (Ref # 12)	410B0600	1
SCREW PAN HEAD 6X16 (Ref # 13)	220B0616	1
GASKET NEUTRAL SWITCH (Ref # 14)	13146-002	1
SWITCH,NEUTRAL (Ref # 15)	13151-1001	1
SCREW PAN HEAD 6X16 (Ref # 16)	220B0616	2