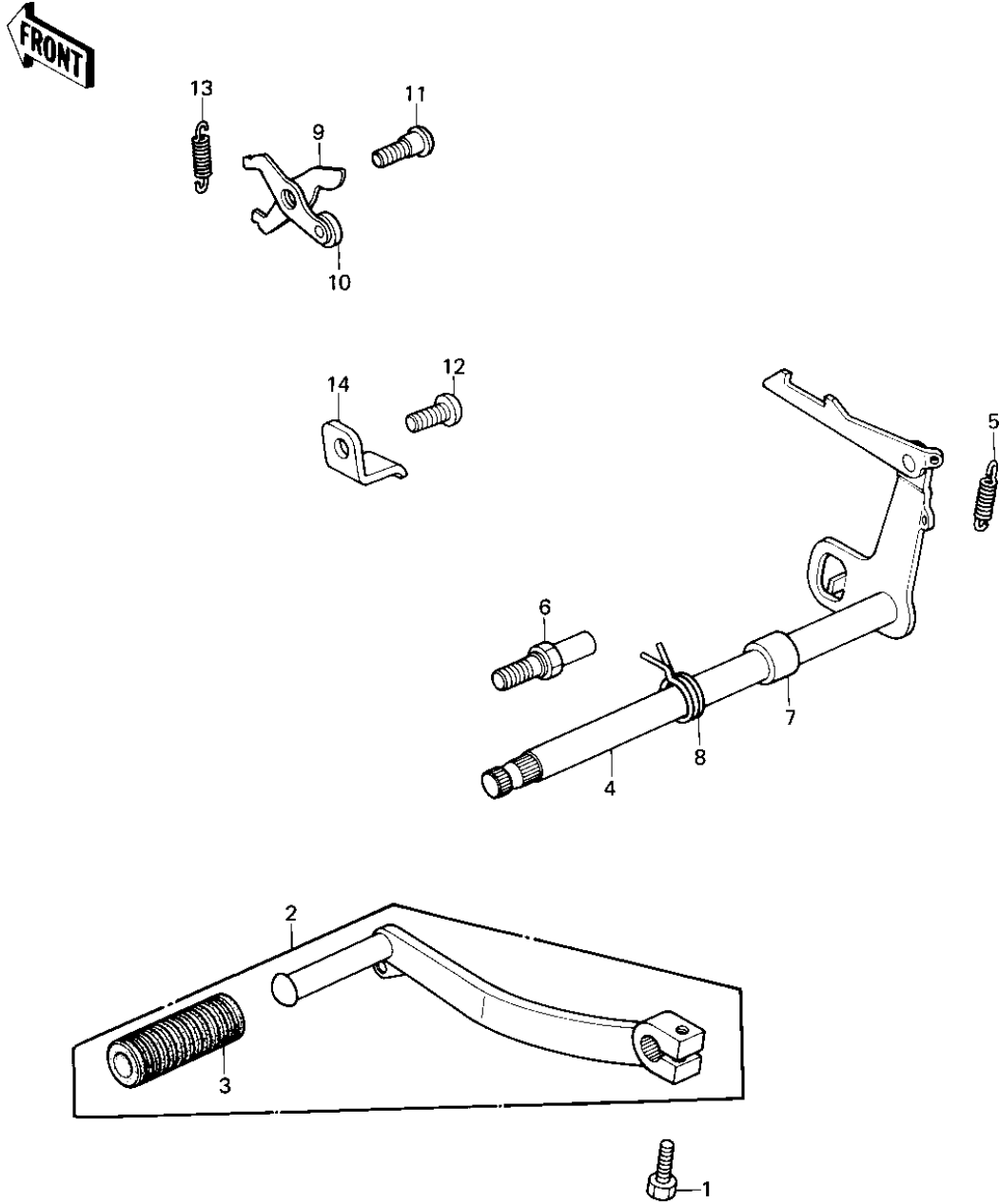


1981 KE175 PARTS DIAGRAM

GEAR CHANGE MECHANISM ('80-'81 KE175-D2/)



1981 KE175 PARTS LIST

GEAR CHANGE MECHANISM ('80-'81 KE175-D2/

ITEM NAME	PART NUMBER	QUANTITY
BOLT-UPSET,6X20 (Ref # 1)	112G0620	1
LEVER-ASSY-CHANGE,PED (Ref # 2)	13242-1273	1
RUBBER CHANGE PEDAL (Ref # 3)	13157-004	1
LEVER ASSY,GEAR CHANG (Ref # 4)	13161-1017	1
SPRING,GEAR CHANGE (Ref # 5)	92081-156	1
BOLT,RETURN SPRING (Ref # 6)	92001-1401	1
COLLAR (Ref # 7)	92027-189	1
SPRING,TENTION (Ref # 8)	92081-1129	1
LEVER,GEAR SET (Ref # 9)	13168-1058	1
LEVER,NEUTRAL (Ref # 10)	13236-1004	1
SCREW-PAN HEAD (Ref # 11)	92011-023	1
SCREW PAN HEAD 6X12 (Ref # 12)	220B0612	1
SPRING,CHANGE LEVER (Ref # 13)	92081-1237	1
PLATE,GEAR CHANGE DRM (Ref # 14)	13169-1201	1
PLATE,GEAR CHANGE (Ref # 14)	13169-1253	1