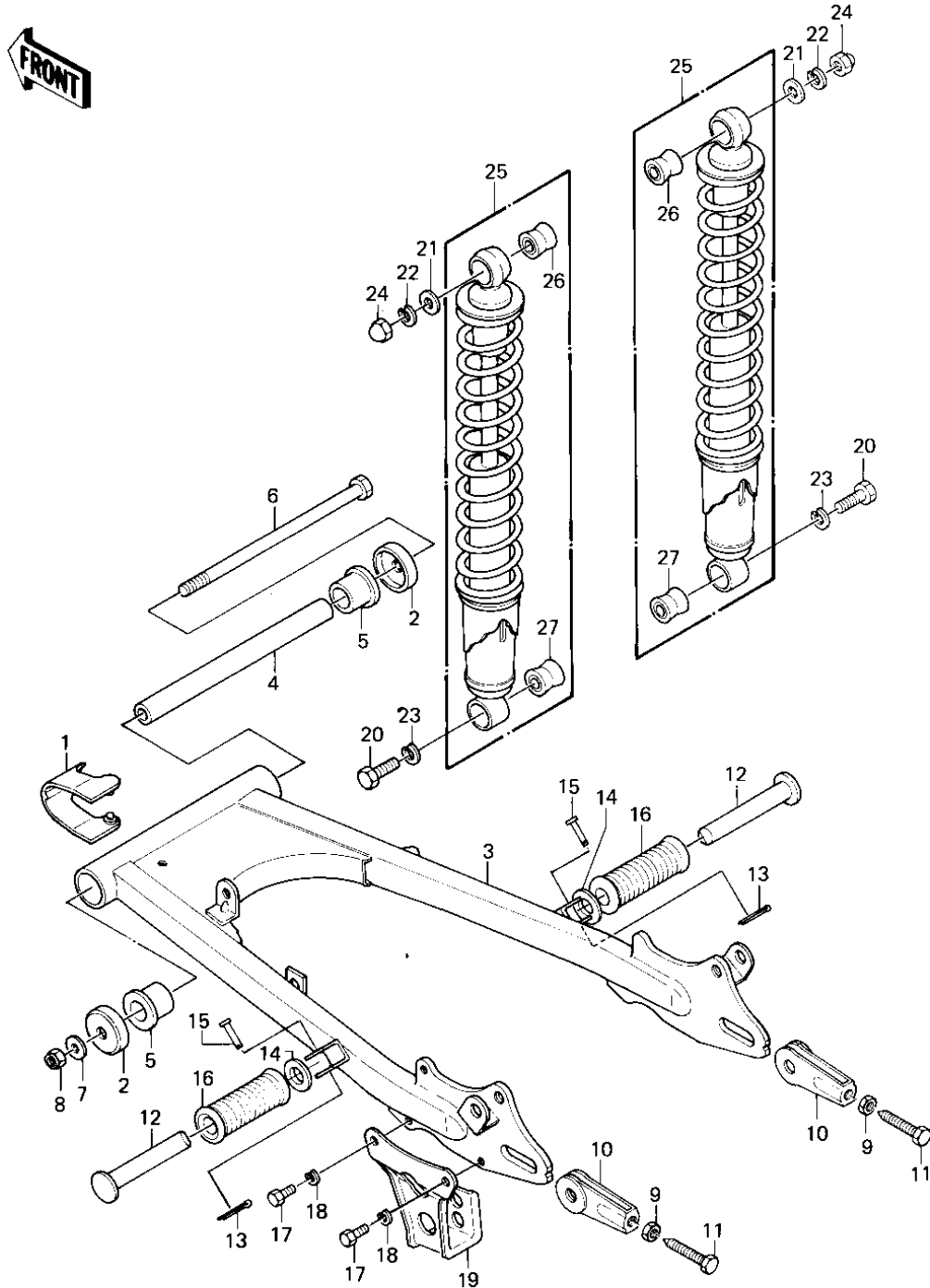


# 1980 KE175 PARTS DIAGRAM

SWING ARM/SHOCK ABSORBERS ('80-'81 KE175)



# 1980 KE175 PARTS LIST

## SWING ARM/SHOCK ABSORBERS ('80-'81 KE175)

ITEM NAME	PART NUMBER	QUANTITY
GUARD,CHAIN,FR (Ref # 1)	55020-1063	1
CAP,SWING ARM (Ref # 2)	11012-1036	2
SWING ARM (Ref # 3)	33001-1061	1
SLEEVE,SWING ARM (Ref # 4)	42036-1019	1
BUSH,SWING ARM (Ref # 5)	92028-1027	2
SHAFT,SWING ARM (Ref # 6)	33032-1005	1
WASHER PLAIN 12MM (Ref # 7)	410B1200	1
NUT-LOCK,12MM (Ref # 8)	92019-009	1
NUT 8MM (Ref # 9)	318B0800	2
ADJUSTER,CHAIN (Ref # 10)	33040-1010	2
BOLT,8X50 (Ref # 11)	92001-1399	2
BAR-RR FOOTREST (OPT) (Ref # 12)	34028-009	2
PIN COTTER 2.0X15 (Ref # 13)	550D2015	2
WASHER-PLAIN (OPT) (Ref # 14)	92022-199	2
PIN (Ref # 15)	92043-1464	2
RUBBER,REAR FOOTREST (Ref # 16)	92076-024	2
BOLT-UPSET,6X12 (Ref # 17)	112G0612	2
WASHER SPRING 6MM (Ref # 18)	461F0600	2
GUARD,CHAIN (Ref # 19)	55020-1026	1
BOLT,HEX HEAD 10X35 (Ref # 20)	92001-1252	2
WASHER PLAIN 8MM (Ref # 21)	411B0800	2
WASHER SPRING 8MM (Ref # 22)	461F0800	2
WASHER SPRING 10MM (Ref # 23)	461F1000	2
NUT,CAP,8M/M (Ref # 24)	323N0800	2
SHOCK ABSBR RR (Ref # 25)	45014-1137	2
SHOCK ABSBR RR (Ref # 25)	45014-1137	2
BUSHING,SHOCK ABSORBE (Ref # 26)	92075-1217	2
BUSHING,SHOCK ABSORBE (Ref # 27)	92075-1216	2