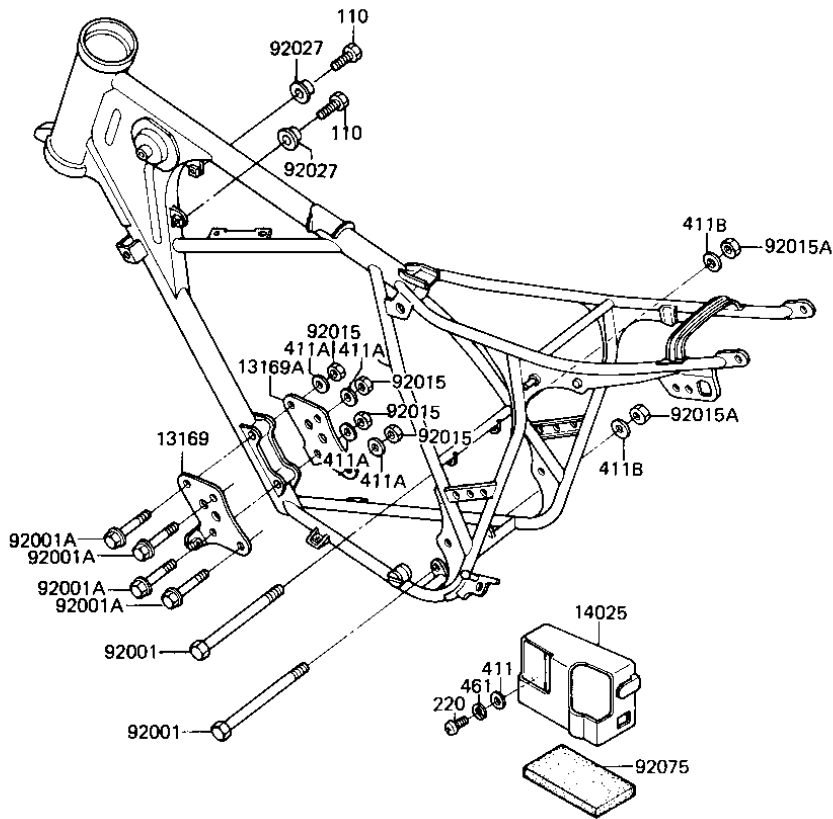


# 1983 KE175 PARTS DIAGRAM

## FRAME FITTINGS/BATTERY CASE

F2130-0013



# 1983 KE175 PARTS LIST

## FRAME FITTINGS/BATTERY CASE

ITEM NAME	PART NUMBER	QUANTITY
PLATE,ENGINE MOUNT,LH (Ref # 13169)	13169-1156	1
PLATE,ENGINE MOUNT,RH (Ref # 13169A)	13169-1157	1
COVER,BATTERY (Ref # 14025)	14025-1048	1
BOLT,HEX HEAD,10X120 (Ref # 92001)	92001-1247	2
BOLT-FLANGE (Ref # 92001A)	92001-1582	4
NUT,LOCK,8MM (Ref # 92015)	92015-1124	4
NUT,10MM (Ref # 92015A)	92015-1429	2
COLLAR,REAR FENDER (Ref # 92027)	92027-1181	2
MAT,BATTERY (Ref # 92075)	32103-027	1
BOLT-UPSET,6X40 (Ref # 110)	112G0640	2
SCREW PAN HEAD 6X12 (Ref # 220)	220B0612	1
WASHER PLAIN 6MM (Ref # 411)	411B0600	1
WASHER PLAIN 8MM (Ref # 411A)	411B0800	4
WASHER PLAIN 10MM (Ref # 411B)	411B1000	2
WASHER SPRING 6MM (Ref # 461)	461F0600	1