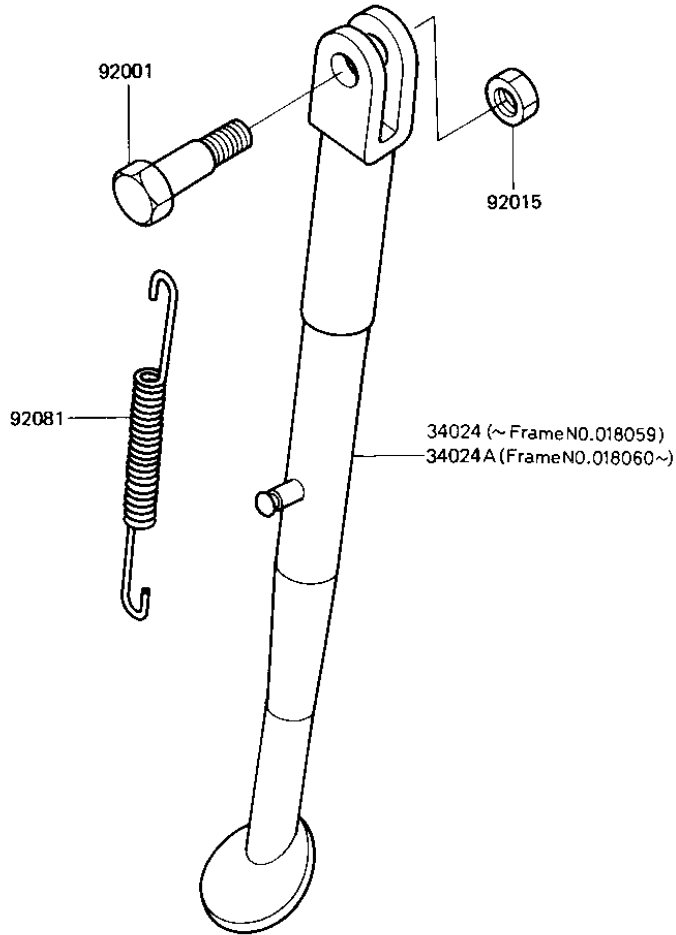


1983 KE175 PARTS DIAGRAM

STAND

F2190-0099



1983 KE175 PARTS LIST

STAND

ITEM NAME	PART NUMBER	QUANTITY
STAND-SIDE (Canada) (Ref # 34024A)	34024-1092	1
BOLT, SIDE STAND FIT (Ref # 92001)	92003-157	1
NUT,LOCK,10MM (Ref # 92015)	92019-021	1
SPRING,SIDE STAND (Ref # 92081)	34025-008	1