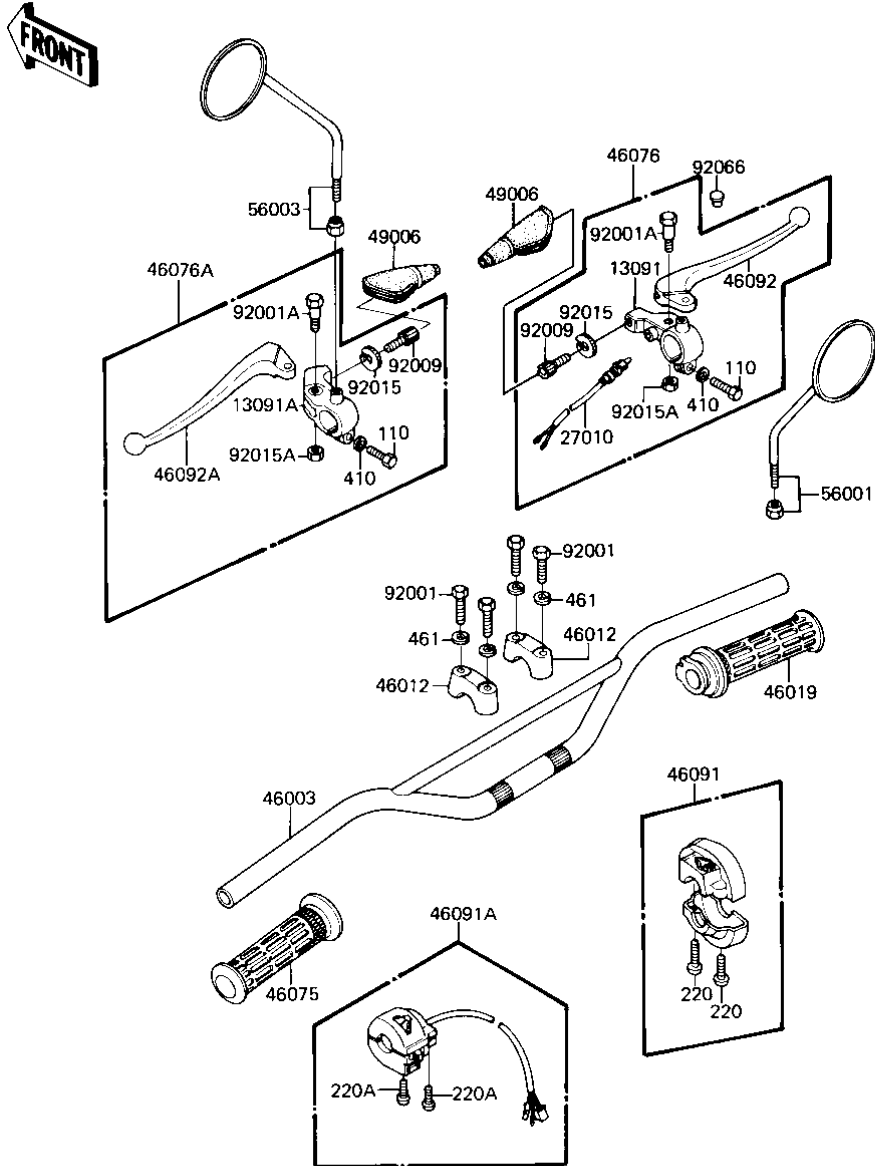


# 1983 KE175 PARTS DIAGRAM

HANDLEBAR ('82-'83 KE175-D4/D5)

F2310-0092



# 1983 KE175 PARTS LIST

HANDLEBAR ('82-'83 KE175-D4/D5)

ITEM NAME	PART NUMBER	QUANTITY
HOLDER-FR BRK LEV,BLK (Ref # 13091)	46060-009-21	1
HOLDER-CLUTCH LEV,BLK (Ref # 13091A)	46094-011-21	1
SWITCH-FR. BRAKE LAMP (Ref # 27010)	27021-004	1
HANDLEBAR (Ref # 46003)	46003-1022	1
HOLDER,HANDLEBAR (Ref # 46012)	46012-014	2
GRIP ASSY,THROTTLE (Ref # 46019)	46019-1005	1
GRIP,L.H. (Ref # 46075)	46075-1004	1
LEVER ASSY,FRNT BRAKE (Ref # 46076)	46021-031	1
LEVER ASSY,CLUTCH (Ref # 46076A)	46076-044	1
HOUSING ASSY,CONT,R.H (Ref # 46091)	46091-1041	1
HOUSING ASSY,L.H (Ref # 46091A)	46091-1042	1
LEVER FRONT BRAKE (Ref # 46092)	46058-004	1
LEVER-CLUTCH (Ref # 46092A)	46092-015	1
BOOTS,LEVER HOLDER (Ref # 49006)	49006-1017	2
REAR VIEW MIRROR,L.H (Ref # 56003)	56003-009	1
BOLT 8X38 (Ref # 92001)	92001-1405	4
BOLT,HEX HEAD,5X22 (Ref # 92001A)	92007-046	2
SCREW CABLE ADJUST (Ref # 92009)	46055-003	2
NUT-LOCK (Ref # 92015)	46056-005	2
NUT-LOCK,5MM (Ref # 92015A)	92019-014	2
PLUG,9.5X8 (Ref # 92066)	92066-1077	1
BOLT HEX HEAD 6X25 (Ref # 110)	110N0625	2
SCREW PAN HEAD 5X18 (Ref # 220)	220B0518	2
SCREW PAN HEAD 5X22 (Ref # 220A)	220B0522	2
WASHER,PLAIN,6MM (Ref # 410)	410D0600	2
WASHER SPRING 8MM (Ref # 461)	461F0800	4