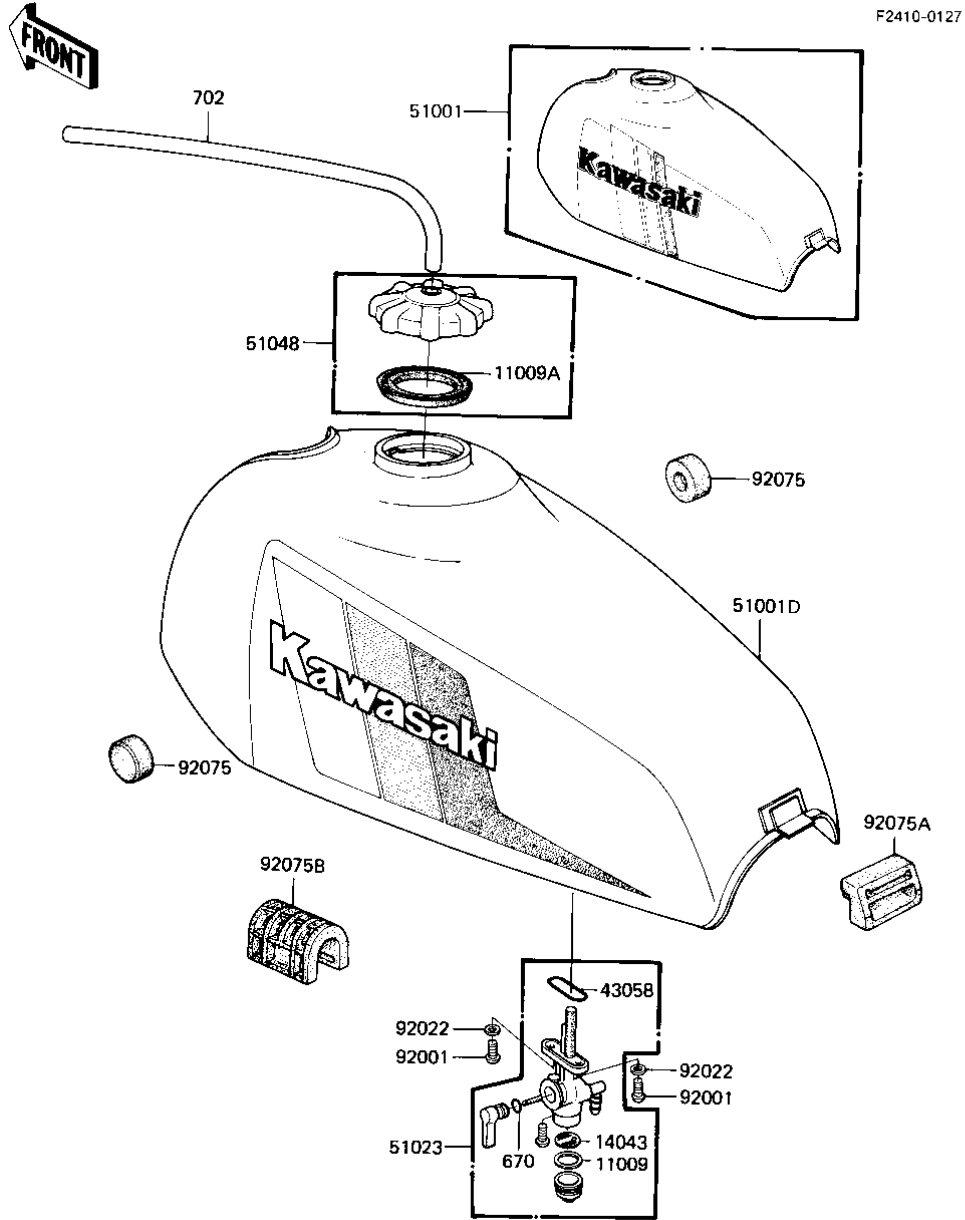


# 1983 KE175 PARTS DIAGRAM

FUEL TANK ('82-'83 KE175-D4/D5)



## 1983 KE175 PARTS LIST

FUEL TANK ('82-'83 KE175-D4/D5)

ITEM NAME	PART NUMBER	QUANTITY
GASKET,FUEL TAP CUP (Ref # 11009)	11009-1013	1
GASKET,FUEL TANK CAP (Ref # 11009A)	51059-006	1
STRINER,FUEL TAP (Ref # 14043)	14043-1002	1
"O" RING (Ref # 43058)	51039-003	1
TANK-COMP-FUEL,EBONY (Canada) (Ref # 51001D)	51001-5213-H8	1
TAP ASSY,FUEL (Ref # 51023)	51023-1020	1
CAP ASSY,TANK,FUEL (Ref # 51048)	51048-1004	1
BOLT,6X20,FUEL TAP (Ref # 92001)	92001-1091	2
WASHER-PLAIN (Ref # 92022)	92022-183	2
DAMPER RUBBER-FL TANK (Ref # 92075)	92075-101	2
DAMPER,FUEL TANK,REAR (Ref # 92075A)	92075-1074	1
DAMPER RUBBER (Ref # 92075B)	92075-284	1
"O" RING, 10MM (Ref # 670)	670B2010	1
TUBE,5X1430 (Ref # 702)	702A051430	1