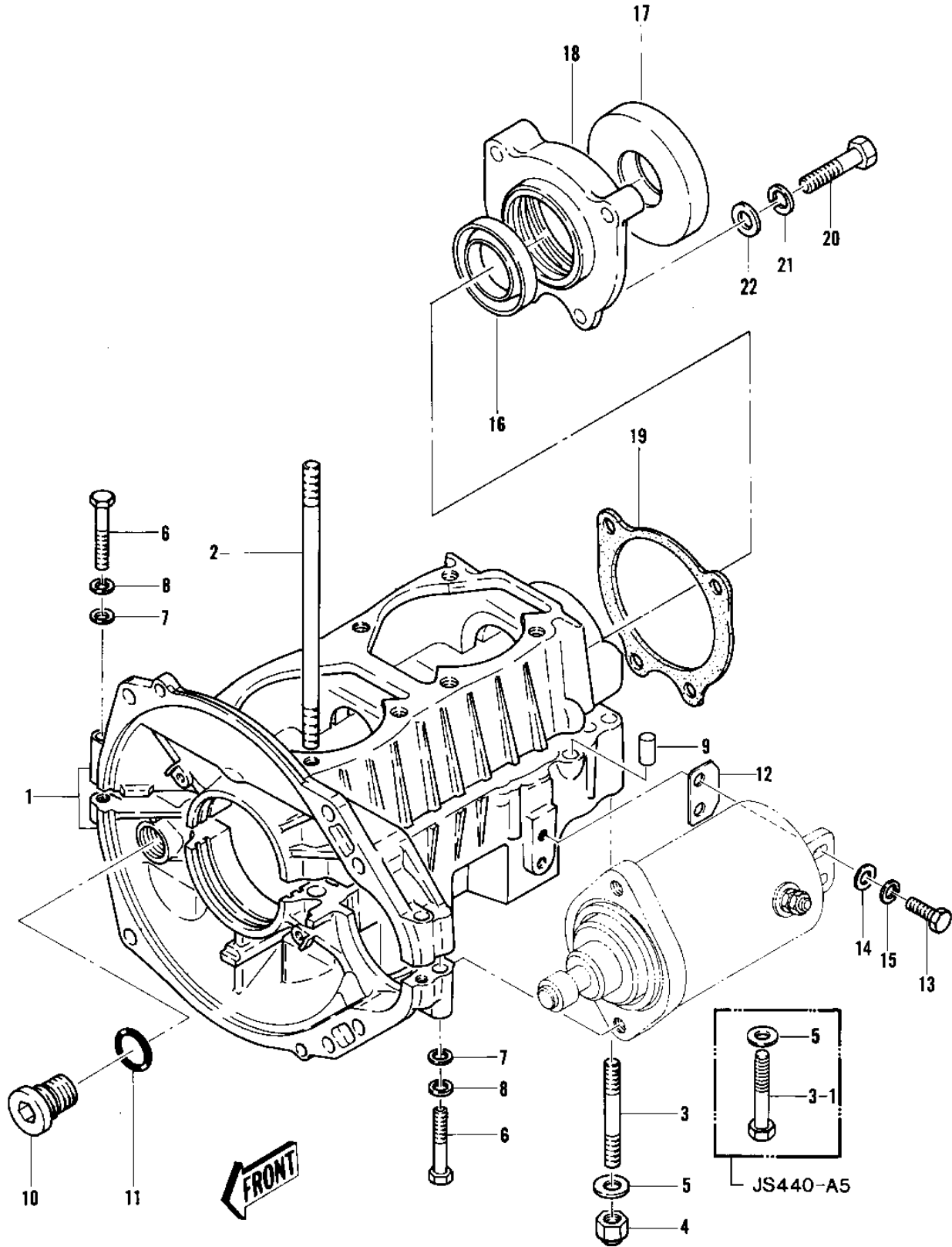


1981 JS440 PARTS DIAGRAM

CRANKCASE ('79-'81 A3/A4/A4A/A5)



1981 JS440 PARTS LIST

CRANKCASE ('79-'81 A3/A4/A4A/A5)

| ITEM NAME | PART NUMBER | QUANTITY |
|----------------------------------|--------------|----------|
| CRANKCASE SET (Ref # 1) | 14001-3015 | 1 |
| STUD (Ref # 2) | 92004-507 | 8 |
| STUD (Ref # 3) | 92004-514 | 10 |
| NUT-CAP,8MM (Ref # 4) | 92015-3003 | 10 |
| WASHER (Ref # 5) | 410S0800 | 10 |
| BOLT 6X40 (Ref # 6) | 110R0640 | 3 |
| WASHER (Ref # 7) | 410S0600 | 3 |
| WASHER-SPRING,6MM (Ref # 8) | 461S0600 | 3 |
| PIN-DOWEL (Ref # 9) | 92042-007 | 2 |
| JOINT-STATOR WIRE (Ref # 10) | 59071-516 | 1 |
| "0" RING,16MM (Ref # 11) | 670B2016 | 1 |
| SHIM,STARTER,T=0.4M/M (Ref # 12) | 92025-3012 | AR |
| SHIM,STARTER,T=0.6M/M (Ref # 12) | 92025-3013 | AR |
| SHIM,STARTER,T=0.8M/M (Ref # 12) | 92025-3014 | AR |
| BOLT 6X20 (Ref # 13) | 110R0620 | 2 |
| WASHER (Ref # 14) | 410S0600 | 2 |
| WASHER-SPRING,6MM (Ref # 15) | 461S0600 | 2 |
| SEAL,OIL DC305513 (Ref # 16) | 92050-512 | 1 |
| SEAL,OIL SCY547410 (Ref # 17) | 92050-508 | 1 |
| HOUSING,OIL SEAL (Ref # 18) | 23072-513-9G | 1 |
| GASKET,HOUSING (Ref # 19) | 92065-515 | 1 |
| BOLT,8X38 (Ref # 20) | 92001-3017 | 4 |
| WASHER SPRING 8MM (Ref # 21) | 461S0800 | 4 |
| WASHER (Ref # 22) | 410S0800 | 4 |