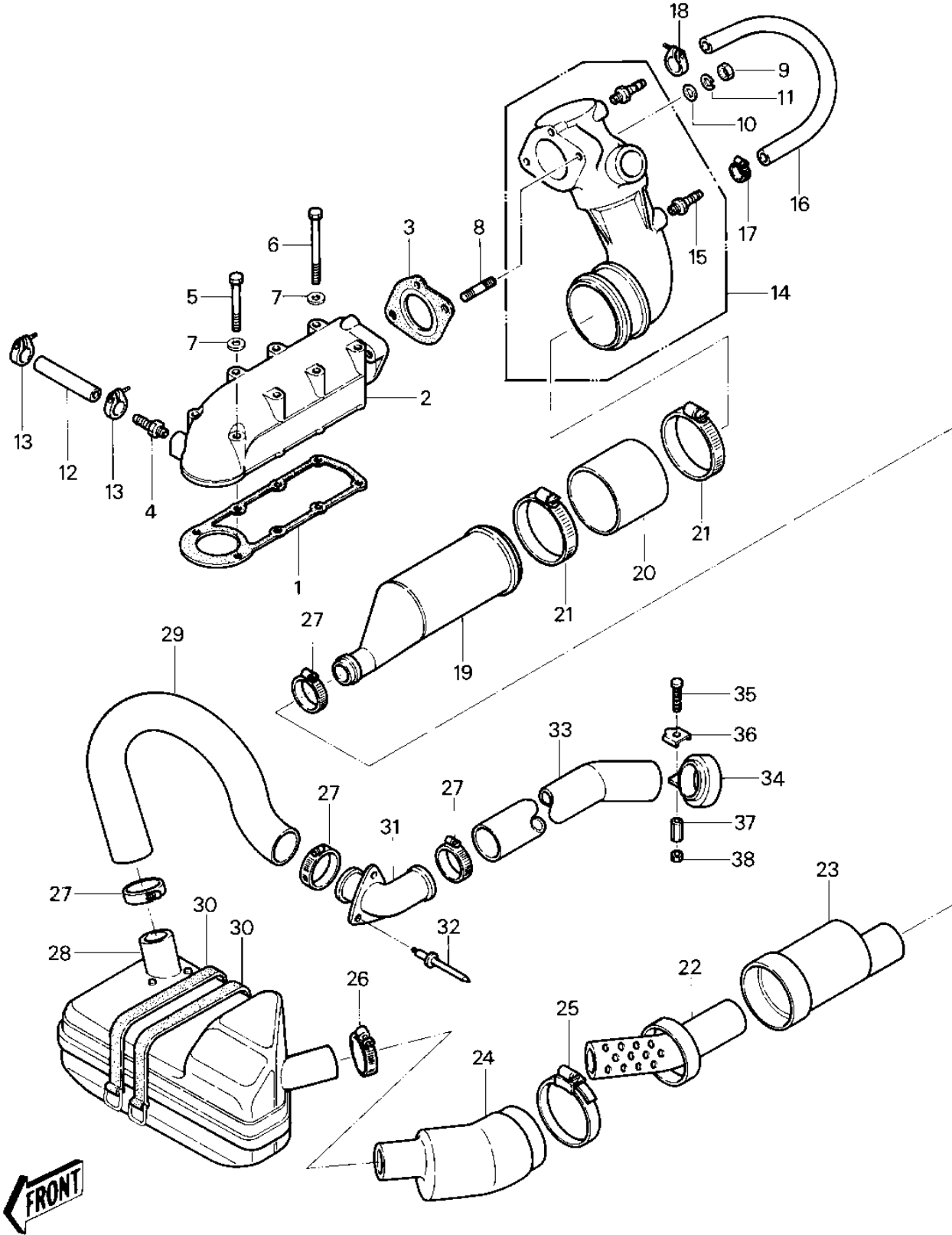


1984 JS550 PARTS DIAGRAM

MUFFLER



1984 JS550 PARTS LIST

MUFFLER

| ITEM NAME | PART NUMBER | QUANTITY |
|----------------------------------|---------------|----------|
| GASKET,EXHAUST PIPE (Ref # 1) | 11009-3051 | 1 |
| PIPE-EXHAUST FRONT (Ref # 2) | 18049-3008-YR | 1 |
| GASKET (Ref # 3) | 11060-3730 | 1 |
| JOINT,HOSE (Ref # 4) | 92005-3001 | 1 |
| BOLT,6X60 (Ref # 5) | 110R0660 | 2 |
| BOLT,6X80 (Ref # 6) | 110R0680 | 6 |
| WASHER (Ref # 7) | 410S0600 | 8 |
| STUD,8X35 (Ref # 8) | 172R0835 | 2 |
| NUT,8 M/M (Ref # 9) | 311M0800 | 2 |
| WASHER (Ref # 10) | 410S0800 | 2 |
| WASHER SPRING 8MM (Ref # 11) | 461S0800 | 2 |
| TUBE,9X16X80 (Ref # 12) | 92059-3039 | 1 |
| CLAMP,HOSE (Ref # 13) | 92037-504 | 2 |
| PIPE-COMP-EXHAUST (Ref # 14) | 49062-3001-YR | 1 |
| JOINT,HOSE (Ref # 15) | 92005-3001 | 2 |
| TUBE,9X16X230 (Ref # 16) | 92059-3040 | 1 |
| CLAMP,HOSE (Ref # 17) | 92037-504 | 1 |
| CLAMP,HOSE (Ref # 18) | 92037-504 | 1 |
| MUFFLER (Ref # 19) | 18001-3008 | 1 |
| TUBE,MUFFLER (Ref # 20) | 92059-3041 | 1 |
| CLAMP (Ref # 21) | 92037-541 | 2 |
| PIPE-RESNTR. CONNECTR (Ref # 22) | 59151-528 | 1 |
| TUBE (Ref # 23) | 92059-542 | 1 |
| TUBE (Ref # 24) | 92059-543 | 1 |
| CLAMP (Ref # 25) | 92037-541 | 1 |
| CLAMP,HOSE (Ref # 26) | 92037-506 | 1 |
| CLAMP (Ref # 27) | 92037-509 | 4 |
| MUFFLER-COMP,WATERBOX (Ref # 28) | 49070-3714 | 1 |
| HOSE (Ref # 29) | 92059-528 | 1 |

1984 JS550 PARTS LIST

MUFFLER

| ITEM NAME | PART NUMBER | QUANTITY |
|------------------------|-------------|----------|
| BAND (Ref # 30) | 92072-511 | 2 |
| PIPE, TAIL (Ref # 31) | 59156-506 | 1 |
| RIVET (Ref # 32) | 92039-3701 | 3 |
| HOSE, TAIL (Ref # 33) | 92059-549 | 1 |
| CLAMP (Ref # 34) | 92037-545 | 1 |
| SCREW, 6X45 (Ref # 35) | 92009-3747 | 1 |
| WASHER (Ref # 36) | 92095-513 | 1 |
| NUT, 6M/M (Ref # 37) | 92015-532 | 1 |
| NUT, 6M/M (Ref # 38) | 311R0600 | 1 |