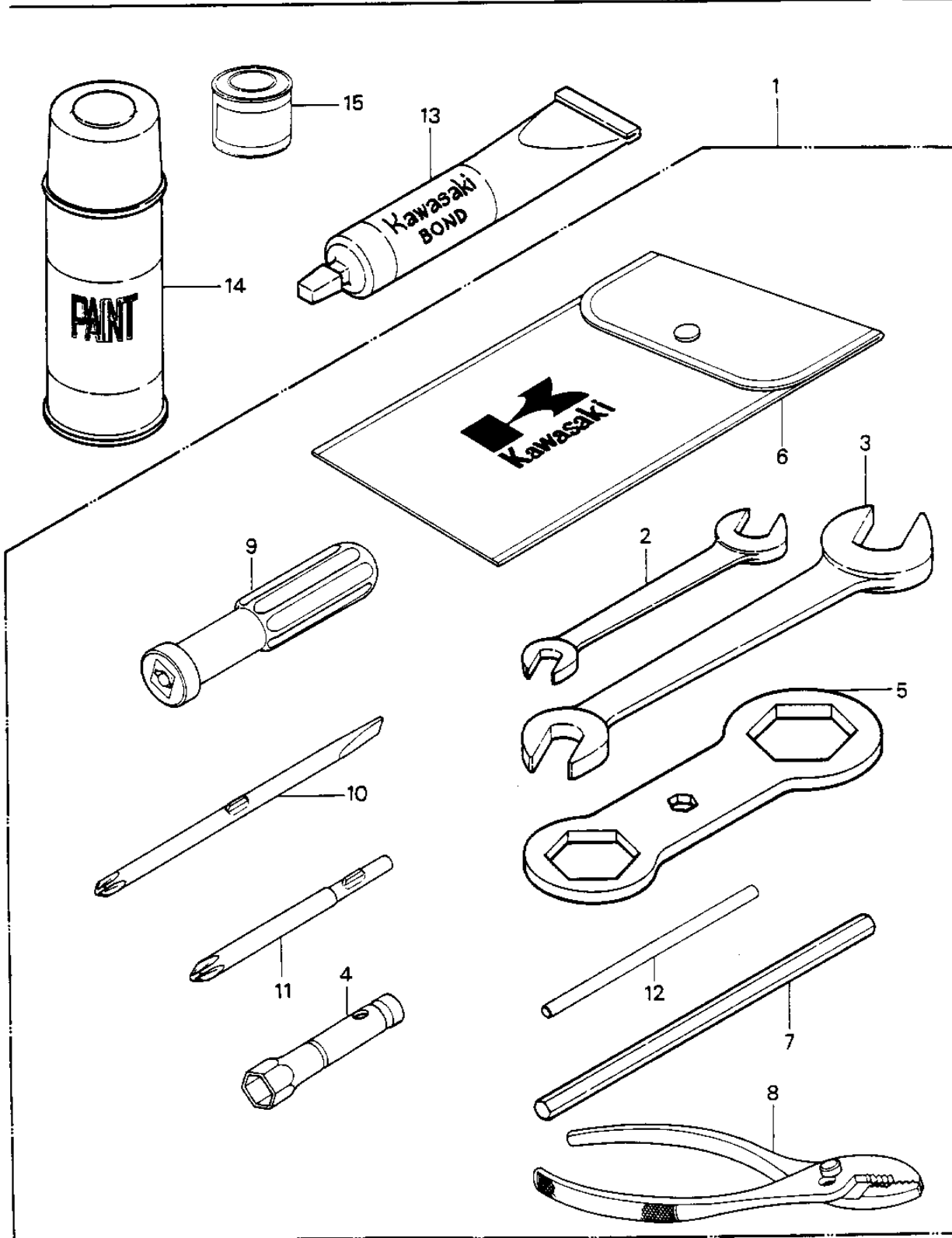


# 1984 JS550 PARTS DIAGRAM

OWNER TOOLS (JS550-A3/A4)



Re  
No

- 1
- 2
- 3
- 4
- 5
- 6
- 7
- 8
- 9
- 10
- 11
- 12
- 13
- 14
- 15

2002

# 1984 JS550 PARTS LIST

## OWNER TOOLS (JS550-A3/A4)

ITEM NAME	PART NUMBER	QUANTITY
56007-3706 (Canada) (Ref # 1)	56007-3701	1
WRENCH,OPEN,8X10 (Ref # 2)	92126-001	1
WRENCH,OPEN END,12X13 (Ref # 3)	92126-002	1
WRENCH,SPARK PLUG (Ref # 4)	92108-008	1
TOOL-WRENCH,BOX END,2 (Ref # 5)	92110-3701	1
BAG,TOOLKIT (Ref # 6)	56008-1019	1
TOOL-WRENCH,ALLEN BAR (Ref # 7)	92110-3702	1
PLIERS,160MM (Ref # 8)	92112-003	1
GRIP,SCREW DRIVER (Ref # 9)	92106-1001	1
TOOL-DRIVER (Ref # 10)	92107-1052	1
SCREW DRIVER #3 PHLIP (Ref # 11)	92107-005	1
BAR,SPARK PLUG WRENCH (Ref # 12)	92111-005	1
LIQUID GASKET (Ref # 13)	92104-002	AR
PAINT,OPTIC RED 12.5 (Ref # 14)	57002-4002	AR
PAINT,1/12L,G.SILVER (Ref # 15)	56019-108-F2	AR