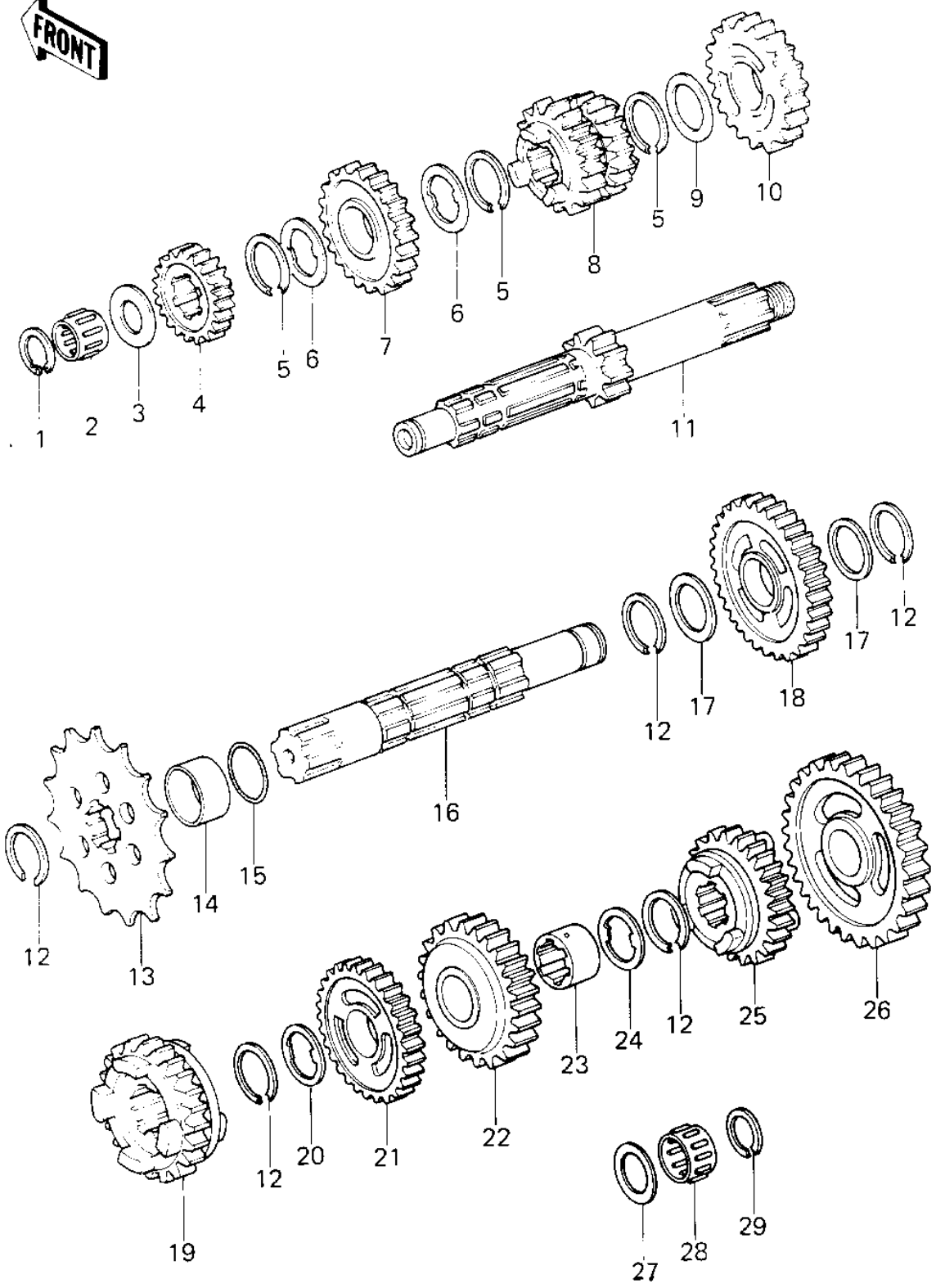


1981 KDX250 PARTS DIAGRAM

TRANSMISSION ('81KDX250-B1)



Ref

- 1
- 2
- 3
- 4
- 5

- 6
- 7
- 8
- 9
- 10

- 11
- 12
- 13

- 14
- 15

- 16
- 17
- 18
- 19
- 20

- 21
- 22
- 23
- 24
- 25

- 26
- 27
- 28
- 29

6076-214

1981 KDX250 PARTS LIST

TRANSMISSION (81KDX250-B1)

ITEM NAME	PART NUMBER	QUANTITY
CIRCLIP,16MM (Ref # 1)	92033-032	1
BEARING-NEEDLE (Ref # 2)	92046-1184	1
WASHER,PLAIN (Ref # 3)	92022-281	1
GEAR,4TH (Ref # 4)	13129-1226	1
CIRCLIP,25MM (Ref # 5)	92033-025	3
WASHER-LOCK (Ref # 6)	92024-039	2
GEAR,TOP (Ref # 7)	13129-1228	1
GEAR,INPUT 2ND&3RD (Ref # 8)	13129-1599	1
WASHER-PLAIN (Ref # 9)	92022-198	1
GEAR,5TH (Ref # 10)	13129-1227	1
GEAR,LOW (Ref # 11)	13127-1033	1
CIRCLIP (Ref # 12)	92033-026	5
ENGINE SPROCKET 13T (Ref # 13)	13144-055	1
ENGINE SPROCKET,14T (Ref # 13)	13144-1006	(1
COLLAR-ENG SPROKET (Ref # 14)	92027-163	1
"O" RING (Ref # 15)	92055-035	1
OUTPUT SHAFT (Ref # 16)	13128-1029	1
WASHER-PLAIN 25MM (Ref # 17)	92022-159	2
GEAR,4TH (Ref # 18)	13129-1232	1
TOP GEAR,OUTPUT SHAFT (Ref # 19)	13129-1234	1
WASHER,LOCK,30X1.0T (Ref # 20)	92022-1072	1
GEAR,3RD (Ref # 21)	13129-1231	1
GEAR,2ND (Ref # 22)	13129-1230	1
BUSHING,OUTPUT GEAR (Ref # 23)	92028-1268	1
WASHER-LOCK (Ref # 24)	92024-038	1
GEAR,OUTPUT 57H,20T (Ref # 25)	13129-1352	1
GEAR,LOW (Ref # 26)	13129-1229	1
WASHER THRUST (Ref # 27)	92022-112	1
BEARING-NEEDLE,KT2026 (Ref # 28)	92046-1170	1

1981 KDX250 PARTS LIST

TRANSMISSION ('81KDX250-B1)

ITEM NAME	PART NUMBER	QUANTITY
CIRCLIP,18MM (Ref # 29)	92033-029	1