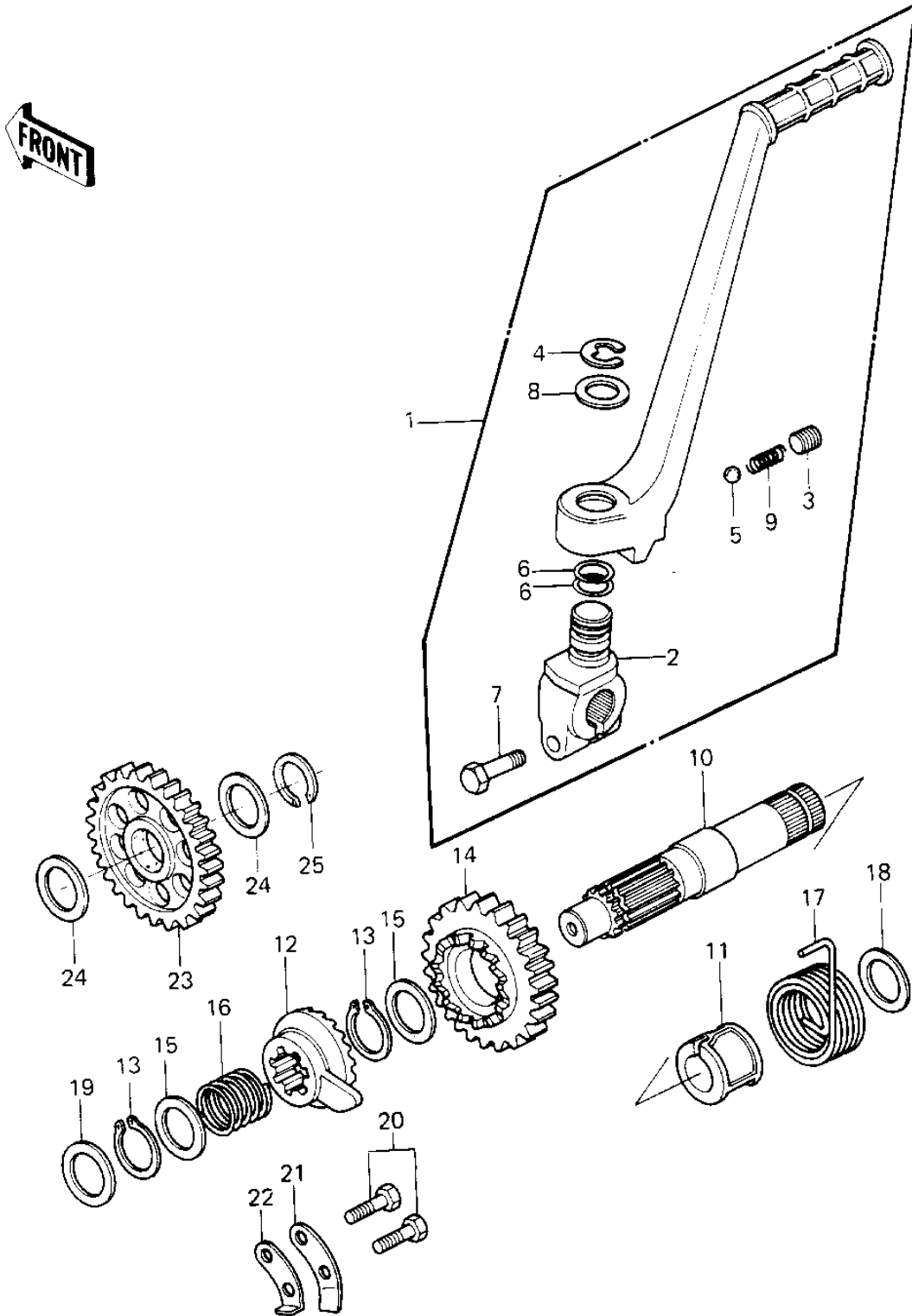


1981 KDX250 PARTS DIAGRAM

KICKSTARTER MECHANISM (81KDX250-B1)



1981 KDX250 PARTS LIST

KICKSTARTER MECHANISM ('81KDX250-B1)

| ITEM NAME | PART NUMBER | QUANTITY |
|----------------------------------|-------------|----------|
| LEVER,KICK (Ref # 1) | 13064-1033 | 1 |
| BOSS,KICKSTARTER (Ref # 2) | 13061-1007 | 1 |
| SCREW,8X8 (Ref # 3) | 290Q0808 | 1 |
| CIR CLIP (Ref # 4) | 482K0100 | 1 |
| BALL STEEL 1/4' (Ref # 5) | 600A0800 | 1 |
| "O" RING,15MM (Ref # 6) | 670B2015 | 2 |
| BOLT,HEX HEAD,8X28 (Ref # 7) | 92001-1042 | 1 |
| WASHER,PLAIN (Ref # 8) | 92022-1019 | 1 |
| SPRING KICK PEDAL (Ref # 9) | 92081-020 | 1 |
| SHAFT,KICKSTARTER (Ref # 10) | 13066-1014 | 1 |
| GUID,KICKSTARTER SPRG (Ref # 11) | 13070-011 | 1 |
| RATCHET,KL250-D2 (Ref # 12) | 13078-1052 | 1 |
| CIRCLIP 16MM (Ref # 13) | 480J1600 | 2 |
| GEAR,KICKSTARTER,27T (Ref # 14) | 59051-1023 | 1 |
| WASHER,PLAIN (Ref # 15) | 92022-315 | 2 |
| SPRING,RATCHET (Ref # 16) | 92081-122 | 1 |
| SPRING,KICKSTARTER (Ref # 17) | 92081-1253 | 1 |
| SPACER,17.2X23X0.5 (Ref # 18) | 92026-1037 | 1 |
| WASHER,PLAIN (Ref # 19) | 92022-269 | 1 |
| BOLT-UPSET (Ref # 20) | 112G0618 | 2 |
| GUIDE-KICK (Ref # 21) | 13206-1059 | 1 |
| STOPPER,KICKSTARTER (Ref # 22) | 32085-1016 | 1 |
| IDLE GEAR, KICKSTRTER (Ref # 23) | 59051-1022 | 1 |
| WASHER (Ref # 24) | 92022-252 | 2 |
| CIRCLIP,18MM (Ref # 25) | 92033-029 | 1 |