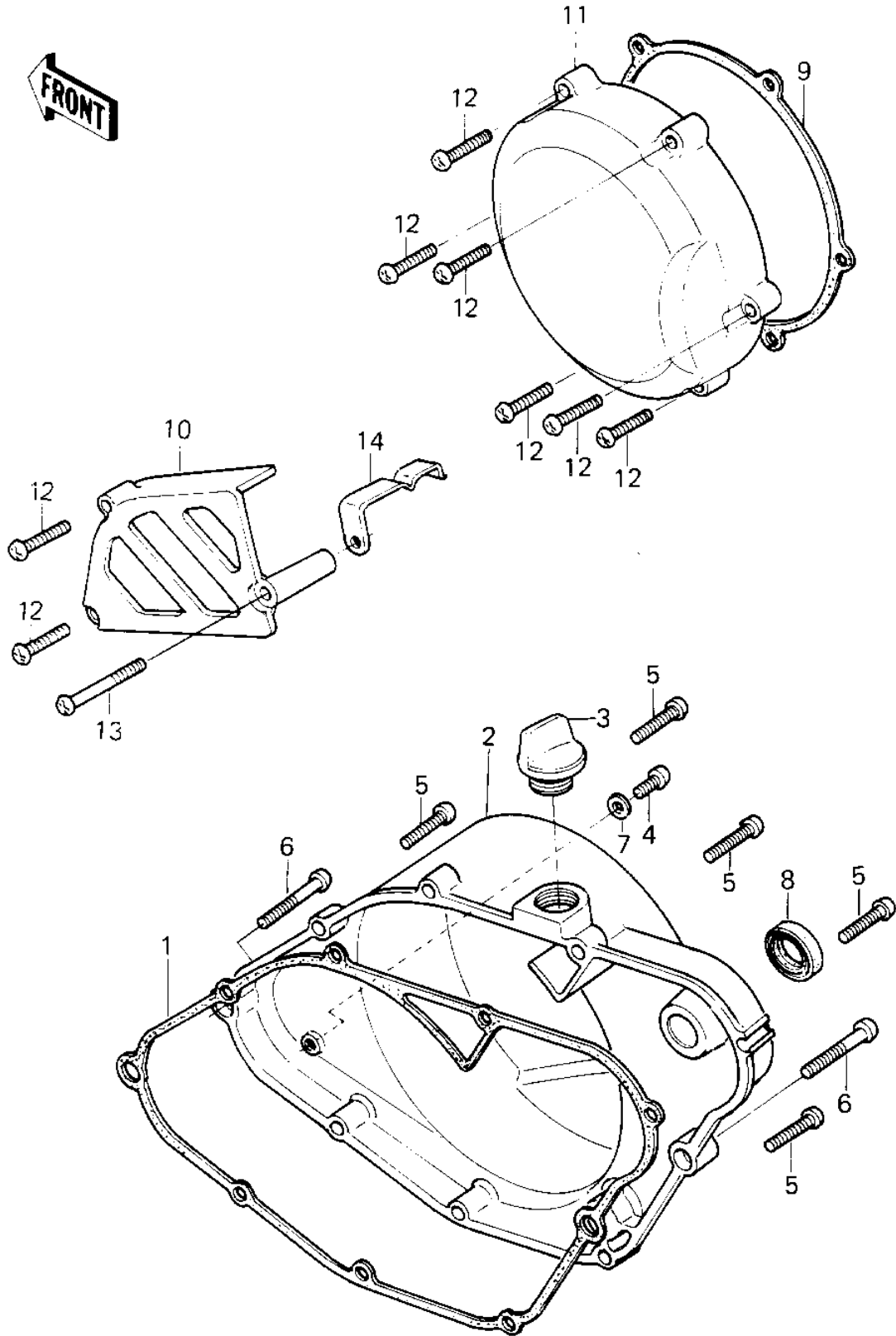


1981 KDX250 PARTS DIAGRAM

ENGINE COVERS ('81KDX250-B1)



1981 KDX250 PARTS LIST

ENGINE COVERS ('81KDX250-B1)

| ITEM NAME | PART NUMBER | QUANTITY |
|----------------------------------|-------------|----------|
| GASKET,R.H ENG COVER (Ref # 1) | 11009-1171 | 1 |
| COVER,R.H ENG,BLACK (Ref # 2) | 14032-1028 | 1 |
| FILLER,OIL (Ref # 3) | 16115-018 | 1 |
| SCREW PAN HEAD 6X8 (Ref # 4) | 220B0608 | 1 |
| SCREW PAN HEAD 6X25 (Ref # 5) | 220B0625 | 7 |
| SCREW PAN HEAD 6X35 (Ref # 6) | 220B0635 | 2 |
| WASHER OIL PUMP BANJO (Ref # 7) | 92022-077 | 1 |
| OIL SEAL SB16244 (Ref # 8) | 92049-002 | 1 |
| GASKET,L.H ENG,COVER (Ref # 9) | 11009-1172 | 1 |
| COVER,CHAIN,F.BLACK (Ref # 10) | 14026-1027 | 1 |
| COVER,L.H ENG,F.BLACK (Ref # 11) | 14031-1049 | 1 |
| SCREW PAN HEAD 6X25 (Ref # 12) | 220B0625 | 8 |
| SCREW PAN HEAD 6X45 (Ref # 13) | 220B0645 | 1 |
| CLAMP,WIRING HARNESS (Ref # 14) | 92037-142 | 1 |