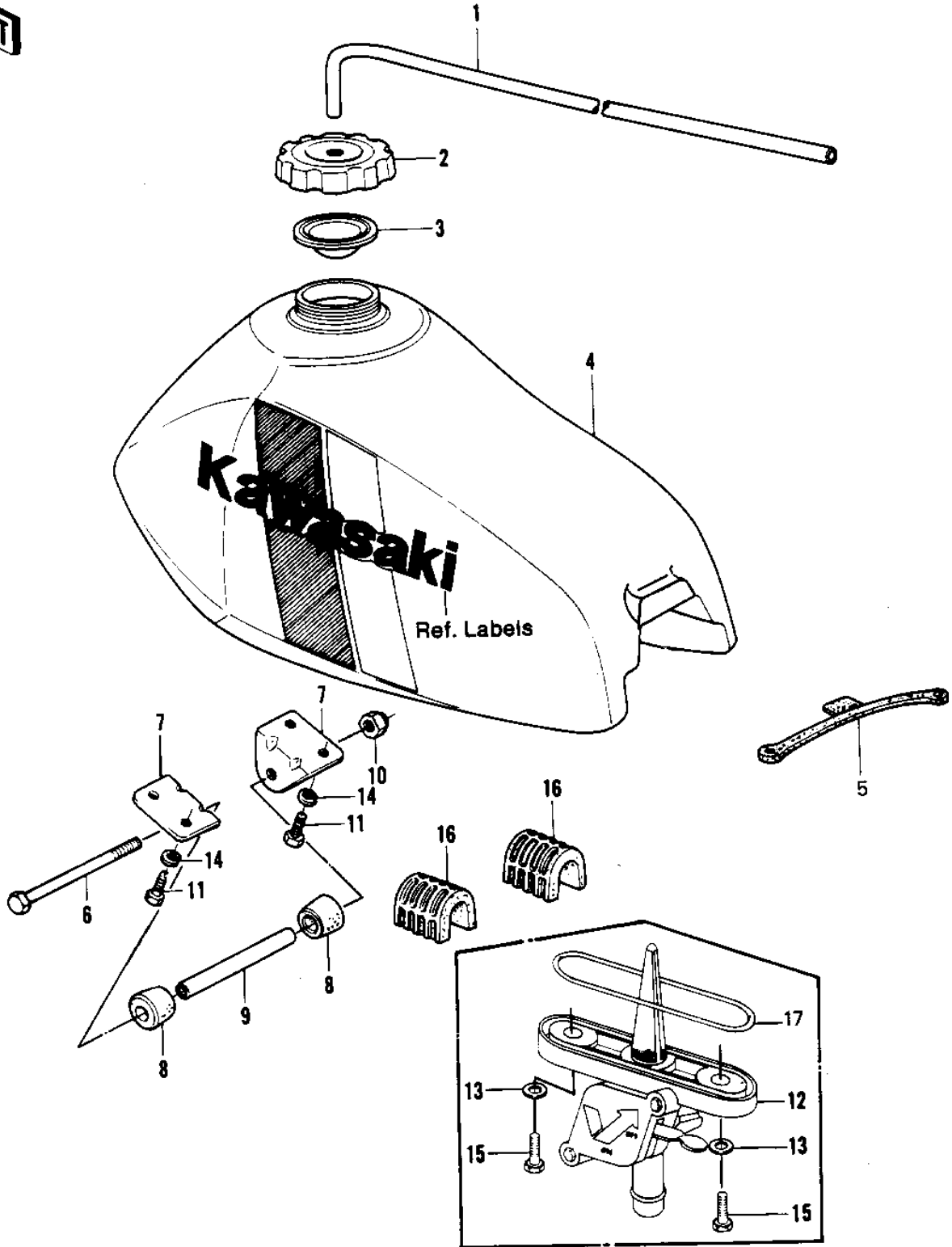


1981 KDX250 PARTS DIAGRAM

FUEL TANK ('81KDX250-B1)



1981 KDX250 PARTS LIST

FUEL TANK ('81KDX250-B1)

| ITEM NAME | PART NUMBER | QUANTITY |
|---------------------------------|---------------|----------|
| TUBE,5X7X500 (Ref # 1) | 92059-4001 | 1 |
| CAP-TANK,FUEL (Ref # 2) | 51049-1060 | 1 |
| GASKET,FUEL TANK CAP (Ref # 3) | 11009-4001 | 1 |
| TANK-FUEL,GREEN (Ref # 4) | 51001-4004-6W | 1 |
| BAND,FUEL TANK (Ref # 5) | 92072-042 | 1 |
| BOLT-UPSET,6X105 (Ref # 6) | 112G06105 | 1 |
| BRACKET,TANK (Ref # 7) | 32052-1031 | 2 |
| DAMPER,FUEL TANK FITT (Ref # 8) | 92075-1220 | 2 |
| COLLAR,FUEL TANK FITT (Ref # 9) | 92027-1228 | 1 |
| NUT (Ref # 10) | 92019-008 | 1 |
| BOLT-UPSET,6X12 (Ref # 11) | 112G0612 | 4 |
| COCK ASSY,FUEL (Ref # 12) | 51023-4002 | 1 |
| WASHER-PLAIN (Ref # 13) | 92022-183 | 2 |
| WASHER SPRING 6MM (Ref # 14) | 461F0600 | 4 |
| BOLT-HEX HEAD,6X16 (Ref # 15) | 92001-114 | 2 |
| DAMPER,FUEL TANK (Ref # 16) | 92075-1221 | 2 |
| "O" RING (Ref # 17) | 51039-003 | 1 |