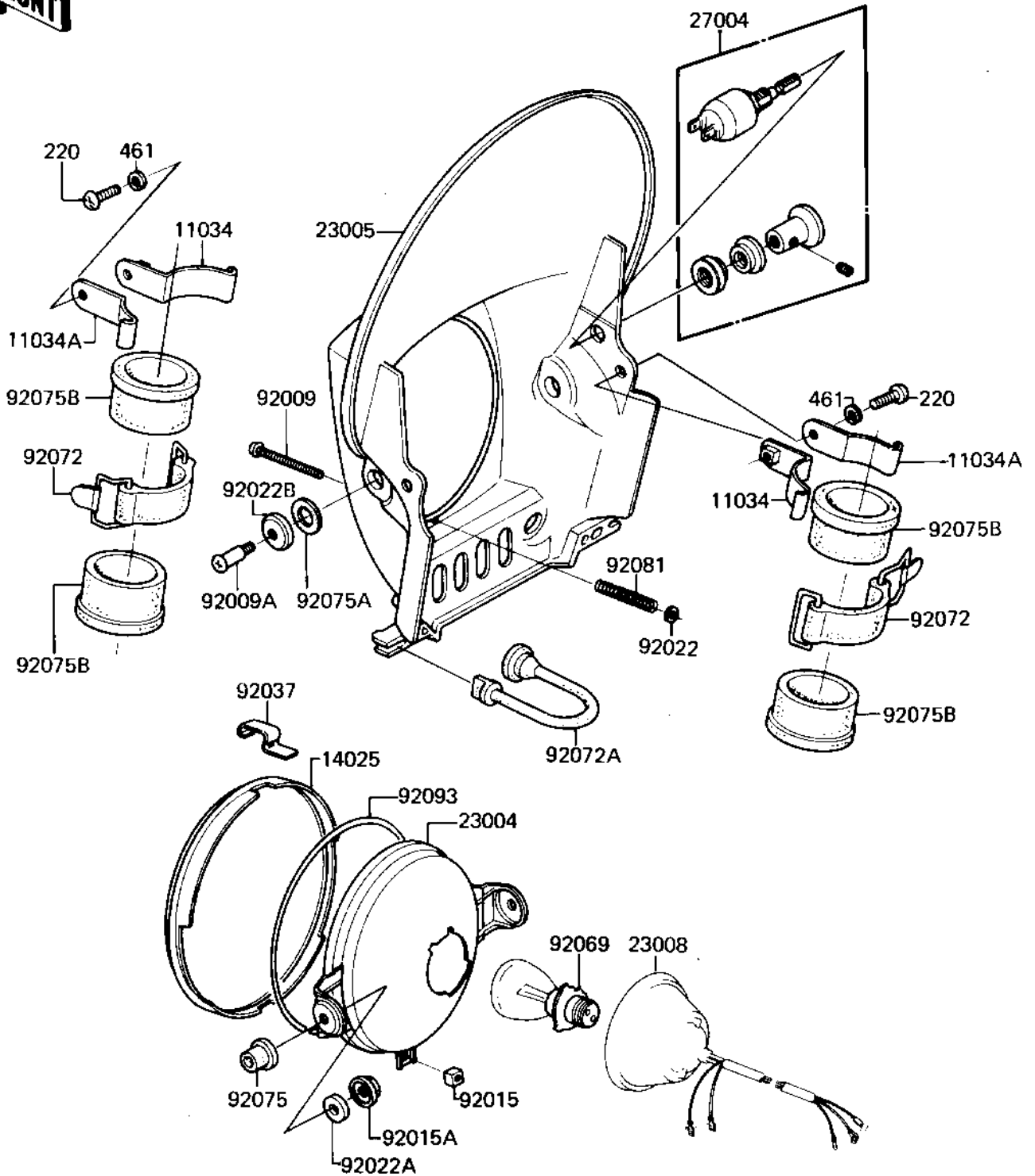


1982 KDX250 PARTS DIAGRAM

HEADLIGHT ('82 KDX250-B2)

F2710-0109



1982 KDX250 PARTS LIST

HEADLIGHT ('82 KDX250-B2)

ITEM NAME	PART NUMBER	QUANTITY
BRACKET,HEAD LMP PFIT (Ref # 11034)	11034-1688	2
BRACKET,HEAD LMP FITT (Ref # 11034A)	11034-1693	2
COVER,HEAD LAMP (Ref # 14025)	14025-4002	1
LAMP,HEAD (Ref # 23004)	23004-4001	1
BODY-COMP-HEAD LAMP,L (Ref # 23005)	23005-5002-7F	1
SOCKET-ASSY (Ref # 23008)	23008-1153	1
SWITCH,HEAD LAMP (Ref # 27004)	27004-4001	1
SCREW,ADJUSTING,4X43 (Ref # 92009)	92009-4002	1
SCREW,HEAD LAMP (Ref # 92009A)	92009-4003	2
NUT,4MM (Ref # 92015)	23020-018	1
NUT,HEAD LAMP RIM FIT (Ref # 92015A)	23020-023	2
WASHER (Ref # 92022)	23021-004	1
WASHER-PLAIN,5MM (Ref # 92022A)	23021-012	2
WASHER,7.2X21 (Ref # 92022B)	92022-1258	2
CLAMP,HEAD LAMP (Ref # 92037)	92037-4001	3
BULB,6V 35/25W (Ref # 92069)	92069-4001	1
BAND,FUEL TANK (Ref # 92072)	92072-076	2
BAND,HEAD LAMP (Ref # 92072A)	92072-077	2
DAMPER (Ref # 92075)	92075-1328	2
DAMPER (Ref # 92075A)	92075-1329	2
DAMPER (Ref # 92075B)	92075-1375	4
SPRING,FOCUS ADJUSTNG (Ref # 92081)	92081-4003	1
SEAL,HEAD LAMP (Ref # 92093)	92093-4001	1
SCREW PAN HEAD 6X16 (Ref # 220)	220B0616	2
WASHER SPRING 6MM (Ref # 461)	461F0600	2