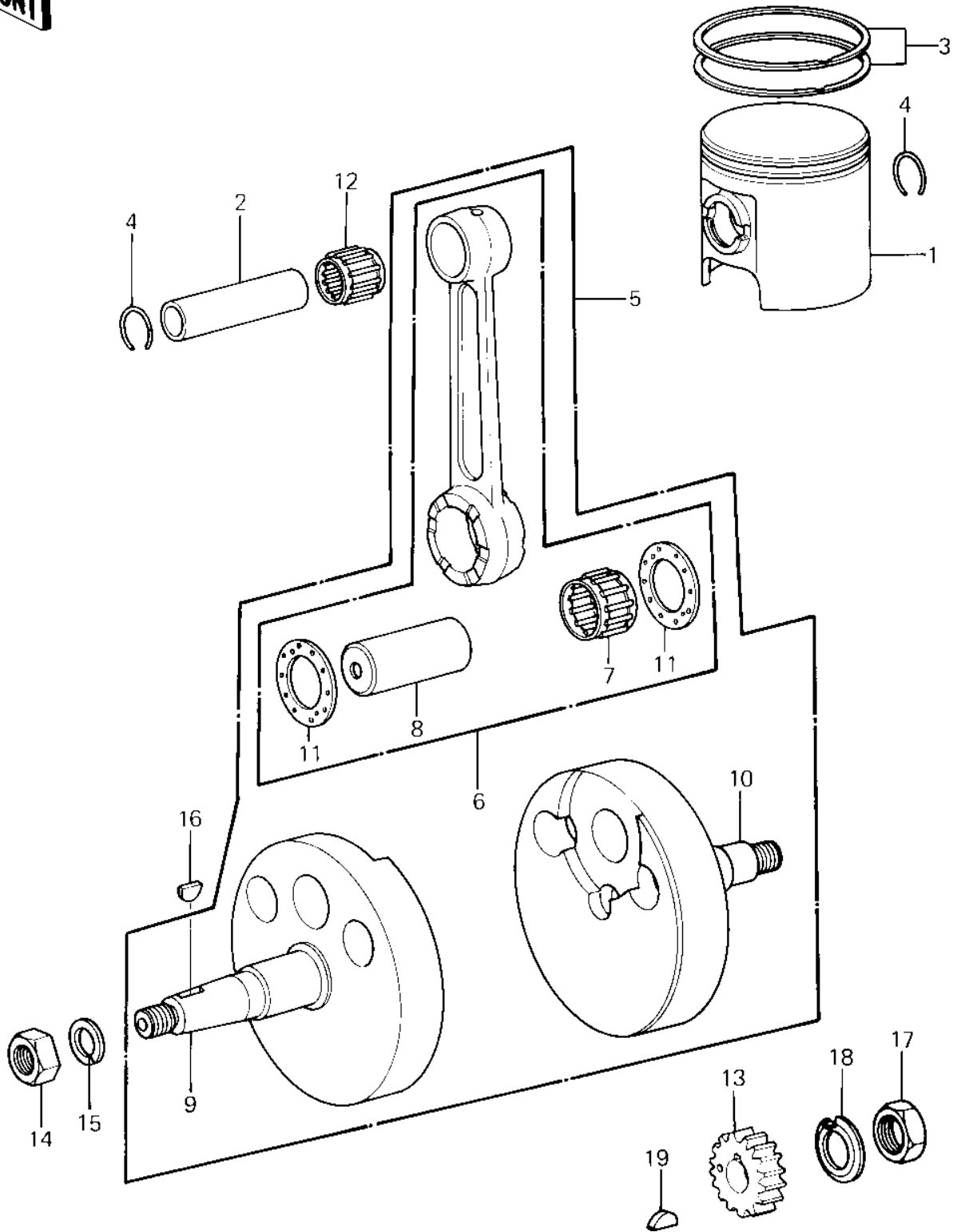


# 1982 KX80 PARTS DIAGRAM

CRANKSHAFT/PISTON ('81 KX80-C1)



# 1982 KX80 PARTS LIST

CRANKSHAFT/PISTON ('81 KX80-C1)

ITEM NAME	PART NUMBER	QUANTITY
PISTON-ENGINE (Ref # 1)	13001-1082	1
PIN-PISTON (Ref # 2)	13002-1009	1
RING SET,PISTON,STD (Ref # 3)	13008-5011	1
CIRCLIP PISTON PIN (Ref # 4)	92036-003	2
CRANKSHAFT ASSY (Ref # 5)	13031-1070	1
SET-CONNECTING ROD (Ref # 6)	13044-5031	1
BEARING-BIG END (Ref # 7)	13034-1032	1
PIN-CRANK (Ref # 8)	13035-1075	1
L.H CRANKSHAFT (Ref # 9)	13037-1095	1
R.H CRANKSHAFT (Ref # 10)	13037-1096	1
WASHER SIDE (Ref # 11)	92026-011	2
BEARING,SMALL END (Ref # 12)	13033-030	1
GEAR,PRIMARY,24T (Ref # 13)	13097-1042	1
NUT,10M/M (Ref # 14)	314G1000	1
WASHER SPRING 10MM (Ref # 15)	461F1000	1
WOODRUFF KEY (Ref # 16)	510A3200	1
NUT 12MM (Ref # 17)	92015-006	1
WASHER LOCK 12MM (Ref # 18)	92024-003	1
WOODRUFF KEY PRY PINI (Ref # 19)	92038-003	1