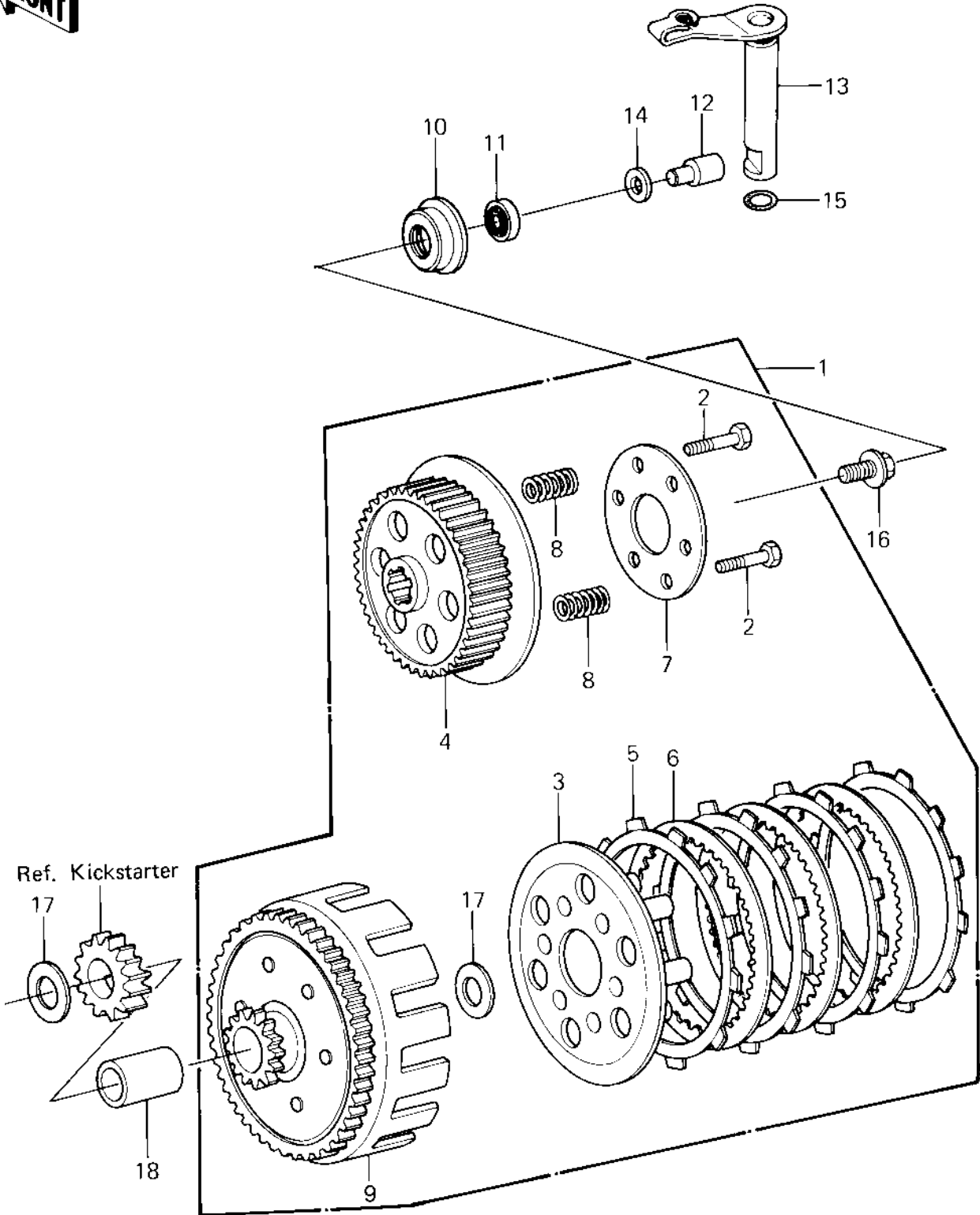


1982 KX80 PARTS DIAGRAM

CLUTCH ('81 KX80-C1)



1982 KX80 PARTS LIST

CLUTCH ('81 KX80-C1)

ITEM NAME	PART NUMBER	QUANTITY
CLUTCH-ASSY (Ref # 1)	13081-1078	1
BOLT (Ref # 2)	110G0520	6
BOLT-FLANGED (Ref # 2)	130P0520	6
WHEEL,CLUTCH (Ref # 3)	13086-1002	1
HUB-CLUTCH (Ref # 4)	13087-1051	1
PLATE,CLUTCH FRICTION (Ref # 5)	13088-1010	5
PLATE-CLUTCH,STEEL (Ref # 6)	13089-1009	4
HOLDER,CLUTCH SPRING (Ref # 7)	13091-1115	1
SPRING,CLUTCH (Ref # 8)	92081-1175	6
HOUSING,CLUTCH (Ref # 9)	13095-1044	1
HOLDER,CLUTCH PUSHER (Ref # 10)	13091-1038	1
BEARING-BALL (Ref # 11)	92045-1211	1
PUSHER,CLUTCH (Ref # 12)	13114-1004	1
LEVER,CLUTCH RELEASE (Ref # 13)	13236-1025	1
"O" RING,9MM (Ref # 15)	670B1509	1
BOLT,10X14 (Ref # 16)	92001-1433	1
WASHER,17.3X28X1.0 (Ref # 17)	92022-255	2
BUSHING,17X22X21.1 (Ref # 18)	92028-1149	1