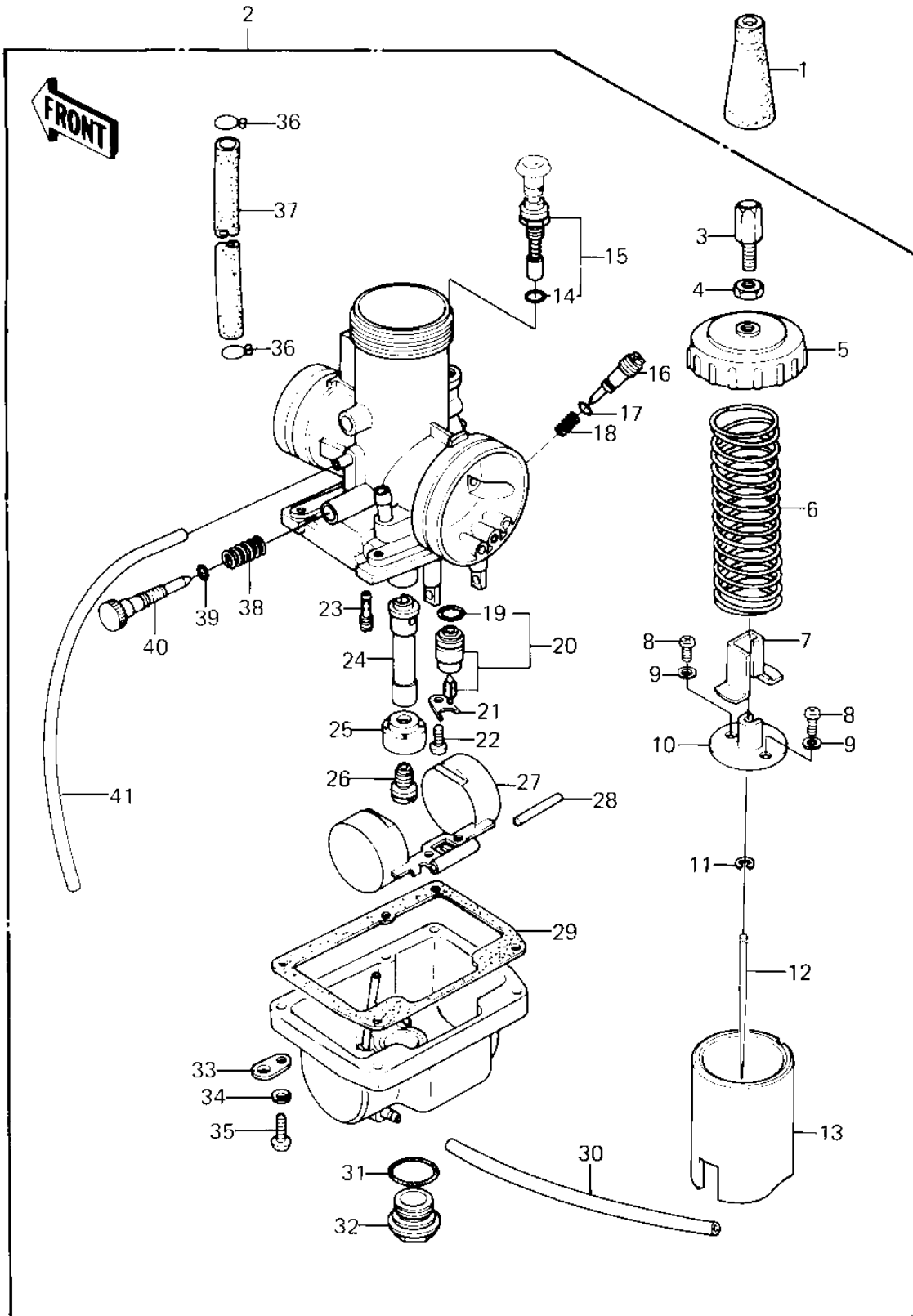


1982 KX80 PARTS DIAGRAM

CARBURETOR



1982 KX80 PARTS LIST

CARBURETOR

ITEM NAME	PART NUMBER	QUANTITY
CAP,CARBURETOR (Ref # 1)	16036-007	1
CARBURETOR ASSY (Ref # 2)	16001-1370	1
ADJUSTER,CABLE (Ref # 3)	16002-017	1
NUT-CABLE ADJUST LOCK (Ref # 4)	16003-006	1
CAP,MIXING CHAMBER (Ref # 5)	16004-025	1
SPRING,THROTTLE CA3.0 (Ref # 6)	92081-1388	1
COVER,THROTTLE VALVE (Ref # 7)	14025-1197	1
SCREW-PAN-CROS (Ref # 8)	220B0310	2
WASHER SPRING 3MM (Ref # 9)	461F0300	2
CONNECTOR,THROTTLE (Ref # 10)	13159-1010	1
CIRCLIP (Ref # 11)	16008-010	1
JET NEEDLE,5E28 (Ref # 12)	16009-1090	1
VALVE,THROTTLE CA.3.0 (Ref # 13)	16025-1058	1
"O" RING,9MM (Ref # 14)	670B1509	1
PLUNGER ASSY,STARTER (Ref # 15)	16016-1013	1
SCREW,PILOT AIR (Ref # 16)	16014-1013	1
"O" RING (Ref # 17)	16038-022	1
SPRING,AIR SCREW (Ref # 18)	92081-1153	1
"O" RING (Ref # 19)	92055-1084	1
FLOAT VALVE ASSY,2.5 (Ref # 20)	16030-1013	1
PLATE, LOCK (Ref # 21)	13169-1190	1
SCREW PAN HEAD 4X8 (Ref # 22)	220B0408	1
JET-PILOT NO 30 (Ref # 23)	92064-022	1
NEEDLE JET,0-8 (Ref # 24)	16017-1055	1
HOLDER,MAIN JET RING (Ref # 25)	16065-1033	1
MAIN JET NO 130R (Ref # 26)	92063-057	1
MAIN JET NO 125R (Ref # 26)	92063-055	1
JET-MAIN,#A127.5 (Ref # 26)	92063-1100	1
JET-MAIN NO 132.5R (Ref # 26)	92063-103	1

1982 KX80 PARTS LIST

CARBURETOR

ITEM NAME	PART NUMBER	QUANTITY
MAIN JET NO 135R (Ref # 26)	92063-104	1
FLOAT (Ref # 27)	16031-1011	1
FLOAT PIN (Ref # 28)	16032-003	1
GASKET,FLOAT CHAMBER (Ref # 29)	11009-1178	1
SPRING,THROTTLE ADJST (Ref # 30)	92081-1152	1
"O" RING (Ref # 31)	92055-1076	1
COVER,MAIN JET (Ref # 32)	16049-1003	1
PLATE,TUBE CLAMP (Ref # 33)	13169-1226	1
WASHER SPRING 4MM (Ref # 34)	461F0400	4
SCREW PAN HEAD 4X16 (Ref # 35)	220B0416	4
CLAMP-PIPE (Ref # 36)	92037-072	2
PIPE,FUEL (Ref # 37)	92059-130	1
SPRING,THROTTLE ADJST (Ref # 38)	92081-1152	1
"O" RING (Ref # 39)	92055-044	1
SCREW,THROTTLE ADJST (Ref # 40)	16021-1012	1
TUBE,3X5X300 (Ref # 41)	92059-1755	1
TUBE,3X5X300 (Ref # 41)	92059-1755	1