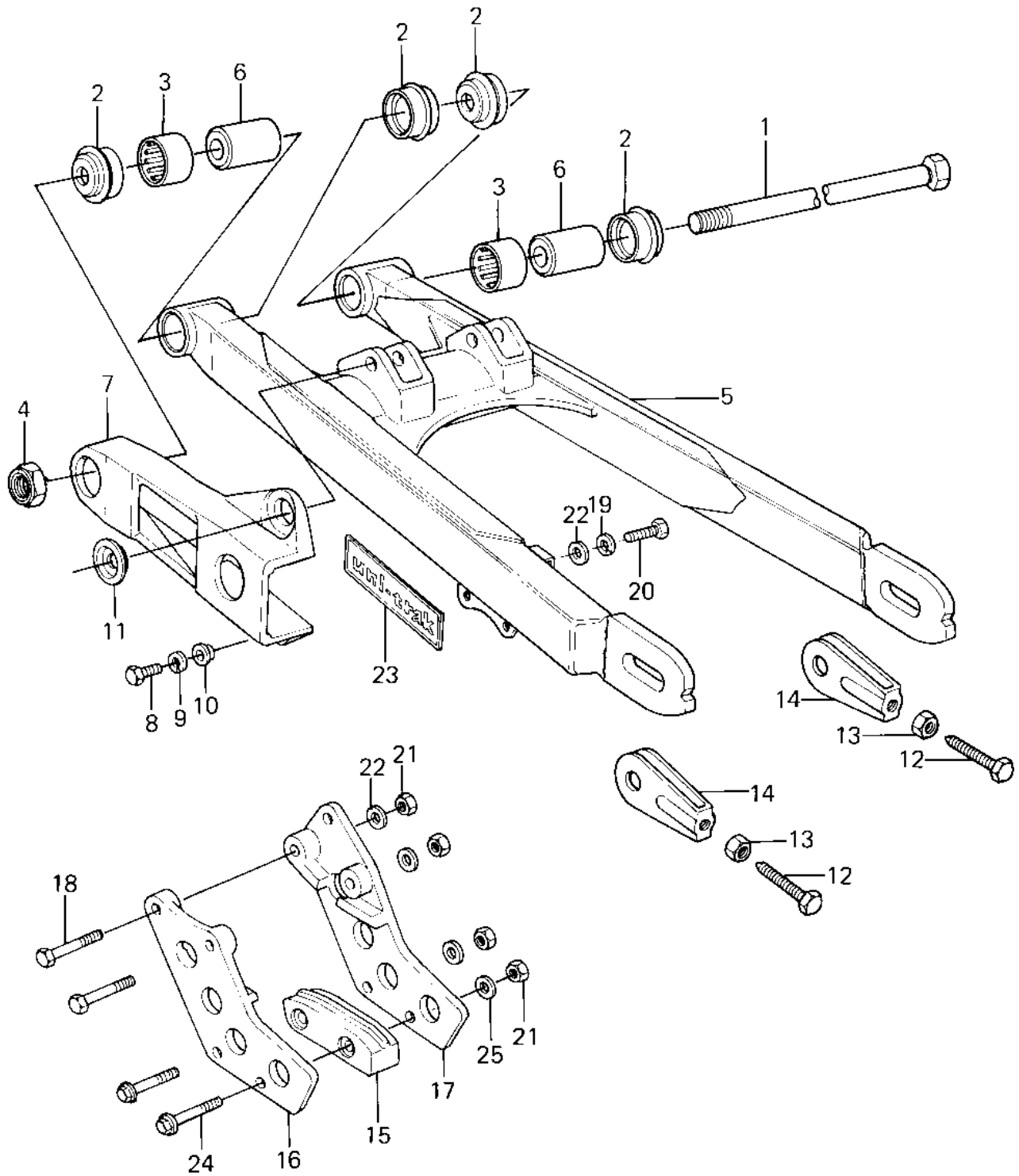


1982 KX80 PARTS DIAGRAM

SWING ARM ('81 KX80-C1)



1982 KX80 PARTS LIST

SWING ARM ('81 KX80-C1)

ITEM NAME	PART NUMBER	QUANTITY
SHAFT,SWING ARM (Ref # 1)	33032-1017	1
CAP,SWING ARM (Ref # 2)	11012-1150	4
BEARING-NEEDLE (Ref # 3)	92046-1162	2
NUT-LOCK,14MM (Ref # 4)	92019-011	1
ARM,SWING (Ref # 5)	33001-1074	1
SLEEVE,CHAIN GUIDE (Ref # 6)	42036-1042	2
GUIDE,CHAIN (Ref # 7)	12053-1053	1
BOLT-UPSET,6X16 (Ref # 8)	112G0616	1
WASHER SPRING 6MM (Ref # 9)	461F0600	1
COLLAR (Ref # 10)	92027-1260	1
COLLAR,CHAIN GUIDE (Ref # 11)	92027-1332	1
BOLT,6X38 (Ref # 12)	92001-1463	2
NUT 6MM (Ref # 13)	311B0600	2
ADJUSTER,CHAIN (Ref # 14)	33040-1009	2
GUIDE,CHAIN (Ref # 15)	12053-1057	1
GUARD,CHAIN (Ref # 16)	55020-1047	1
GUARD,CHAIN (Ref # 17)	55020-1055	1
BOLT-UPSET (Ref # 18)	112G0645	2
WASHER SPRING 6MM (Ref # 19)	461F0600	1
BOLT-UPSET,6X16 (Ref # 20)	112G0616	1
NUT (Ref # 21)	92019-008	4
WASHER 6.5X20X1.6T (Ref # 22)	92022-125	3
MARK (Ref # 23)	56018-1157	1
BOLT,FLANGED,6X40 (Ref # 24)	130B0640	2
WASHER PLAIN 6MM (Ref # 25)	411B0600	2