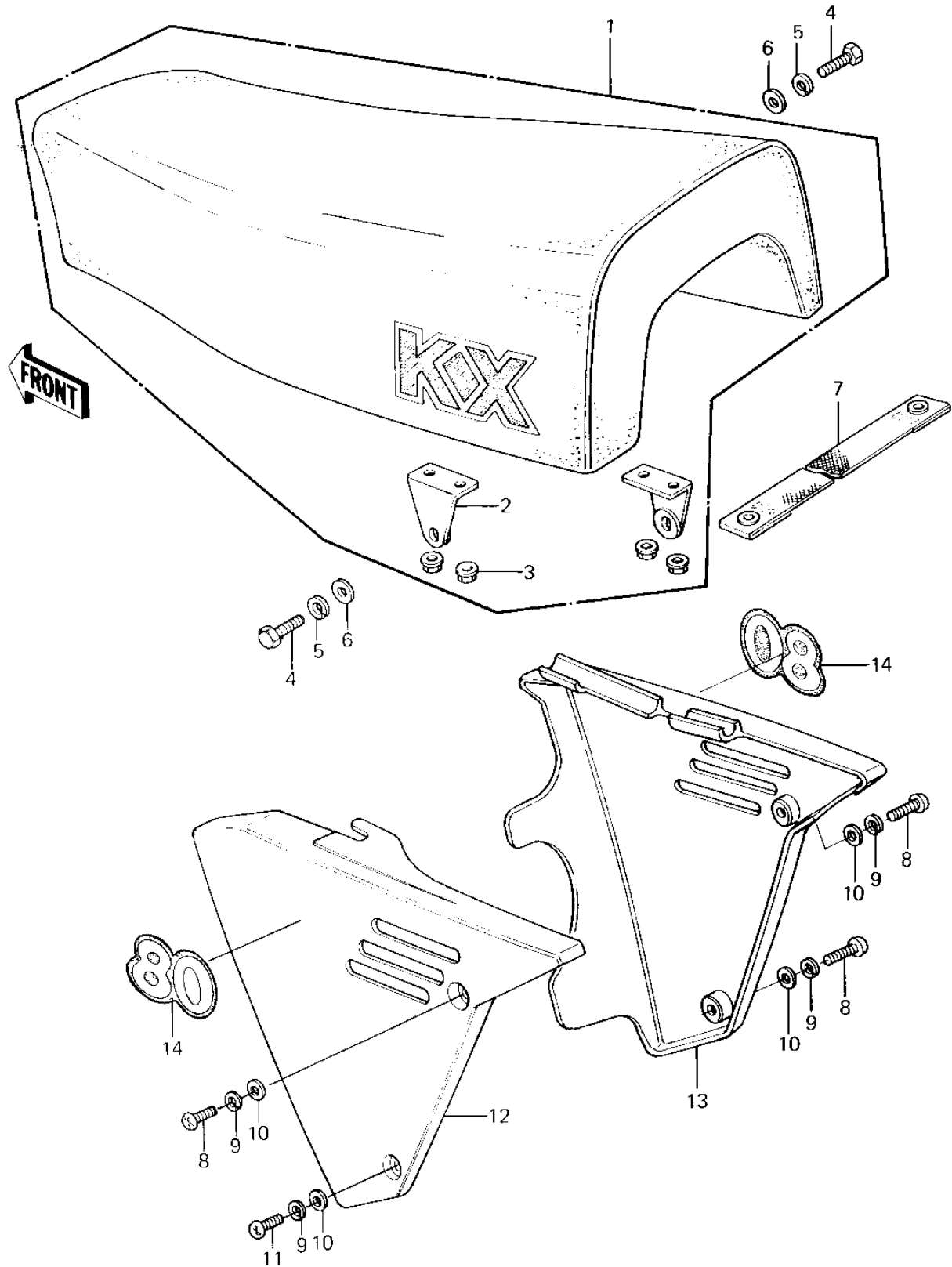


# 1981 KX80 PARTS DIAGRAM

SEAT/SIDE COVERS



# 1981 KX80 PARTS LIST

## SEAT/SIDE COVERS

| ITEM NAME                       | PART NUMBER   | QUANTITY |
|---------------------------------|---------------|----------|
| SEAT-ASSY (Ref # 1)             | 53001-1272    | 1        |
| BRACKET,SEAT (Ref # 2)          | 11034-1993    | 2        |
| NUT-6MM (Ref # 3)               | 92015-1078    | 4        |
| BOLT-UPSET,6X16 (Ref # 4)       | 112G0616      | 2        |
| WASHER SPRING 6MM (Ref # 5)     | 461F0600      | 2        |
| WASHER PLAIN 6MM (Ref # 6)      | 411B0600      | 2        |
| BAND (Ref # 7)                  | 92072-3742    | 1        |
| SCREW PAN HEAD 6X16 (Ref # 8)   | 220B0616      | 3        |
| WASHER SPRING 6MM (Ref # 9)     | 461F0600      | 4        |
| WASHER PLAIN (Ref # 10)         | 92022-024     | 4        |
| SCREW PAN HEAD 6X20 (Ref # 11)  | 220B0620      | 1        |
| COVER,SIDE,L GREEN (Ref # 12)   | 36001-1112-6W | 1        |
| COVER,R.H SIDE L.GRN (Ref # 13) | 36001-1113-6W | 1        |
| MARK,SIDE COVER (Ref # 14)      | 56018-1137    | 2        |