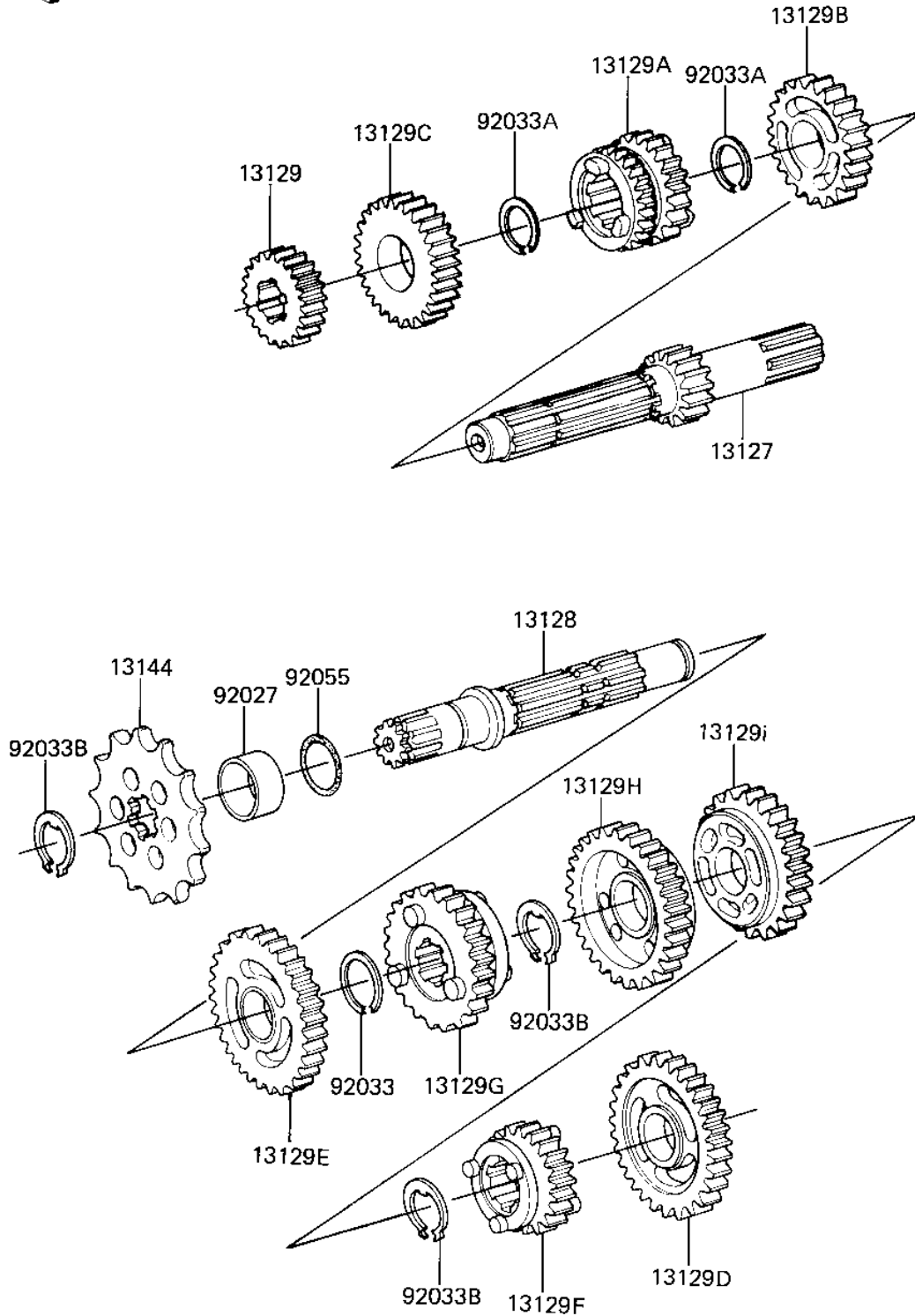


1981 KX80 PARTS DIAGRAM

TRANSMISSION ('82 KX80-C2)

E1361-0052



1981 KX80 PARTS LIST

TRANSMISSION ('82 KX80-C2)

ITEM NAME	PART NUMBER	QUANTITY
LOW GEAR,13T (Ref # 13127)	13127-1032	1
SHAFT,OUTPUT (Ref # 13128)	13128-1028	1
2ND GEAR,16T (Ref # 13129)	13129-1215	1
GEAR,INPUT,3RD&4TH (Ref # 13129A)	13129-1378	1
5TH GEAR,23T (Ref # 13129B)	13129-1217	1
TOP GEAR,24T (Ref # 13129C)	13129-1218	1
LOW GEAR,37T (Ref # 13129D)	13129-1219	1
2ND GEAR,34T (Ref # 13129E)	13129-1220	1
5TH GEAR,28T (Ref # 13129F)	13129-1223	1
GEAR,OUTPUT,TOP,26T (Ref # 13129G)	13129-1339	1
GEAR,OUTPUT,3RD,31T (Ref # 13129H)	13129-1377	1
GEAR,OUTPUT,4TH,30T (Ref # 13129I)	13129-1315	1
SPROCKET,ENGINE,14T (Ref # 13144)	13144-1022	1
COLLAR,ENG SPROCKET (Ref # 92027)	92027-1077	1
CIRCLIP,18MM (Ref # 92033)	92033-029	1
RING,SNAP (Ref # 92033A)	92033-1060	2
RING-SNAP,18MM (Ref # 92033B)	92033-1079	3
"O" RING (Ref # 92055)	92055-022	1