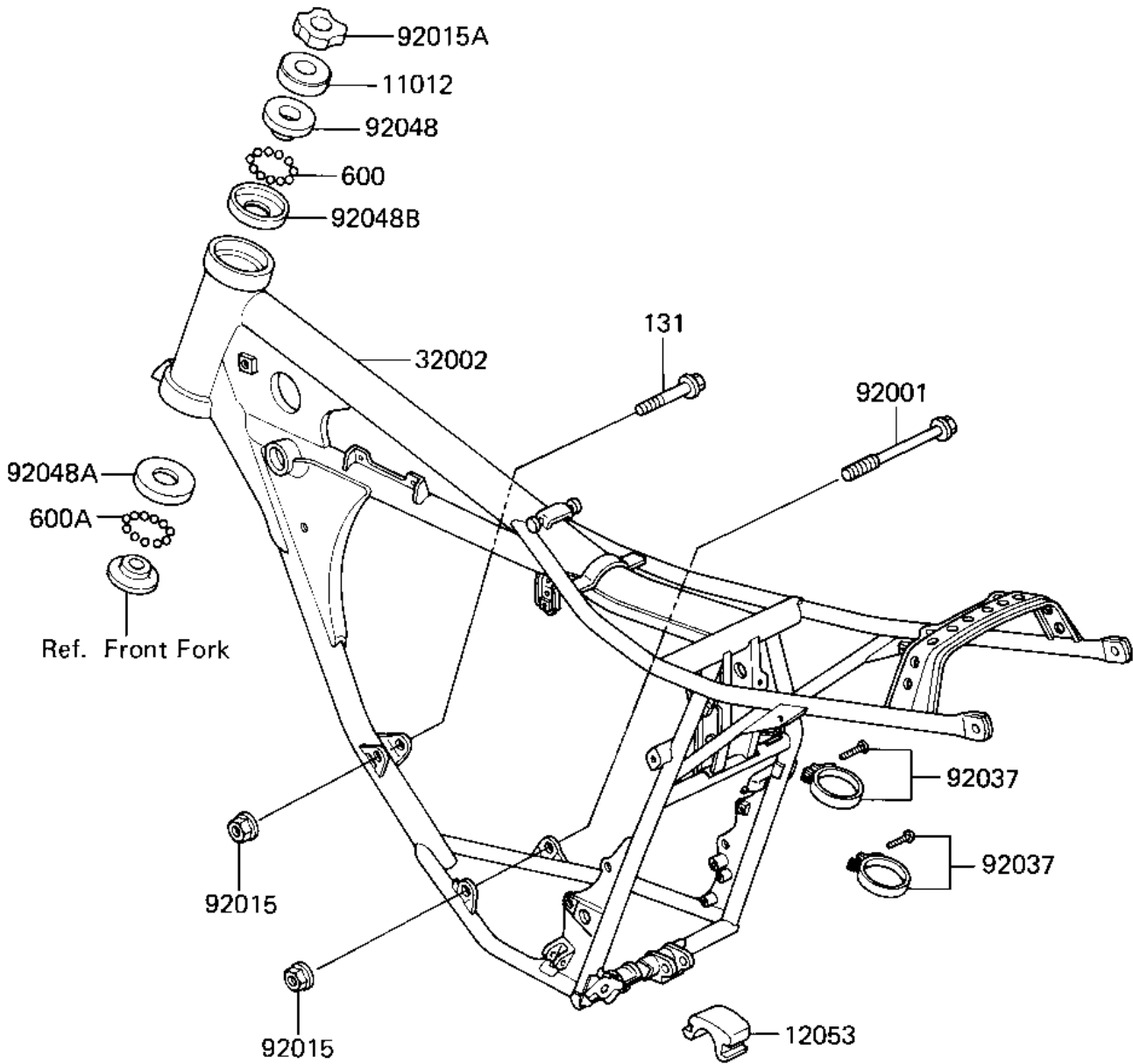


# 1982 KX80 PARTS DIAGRAM

FRAME/FRAME FITTINGS (82 KX80-C2)

F2120-0093



# 1982 KX80 PARTS LIST

## FRAME/FRAME FITTINGS ('82 KX80-C2)

ITEM NAME	PART NUMBER	QUANTITY
CAP,STEERING STEM (Ref # 11012)	46098-018	1
GUIDE,CHAIN (Ref # 12053)	12053-1052	1
FRAME-COMP (Ref # 32002)	32002-1351	1
BOLT,ENGINE MOUNT (Ref # 92001)	92001-1367	1
NUT-8MM (Ref # 92015)	92015-1143	2
NUT,STEERING STEM (Ref # 92015A)	92090-022	1
CLAMP (Ref # 92037)	92037-1172	2
CONE,STRG STM BRG,UP (Ref # 92048)	92047-014	1
RACE STEERING BEARING (Ref # 92048A)	92048-005	1
RACE,STRG STM BEARING (Ref # 92048B)	92048-009	1
BOLT 8X60 (Ref # 131)	131G0860	1
BALL STEEL 3/16' (Ref # 600)	600A0600	23
BALL STEEL 1/4' (Ref # 600A)	600A0800	19