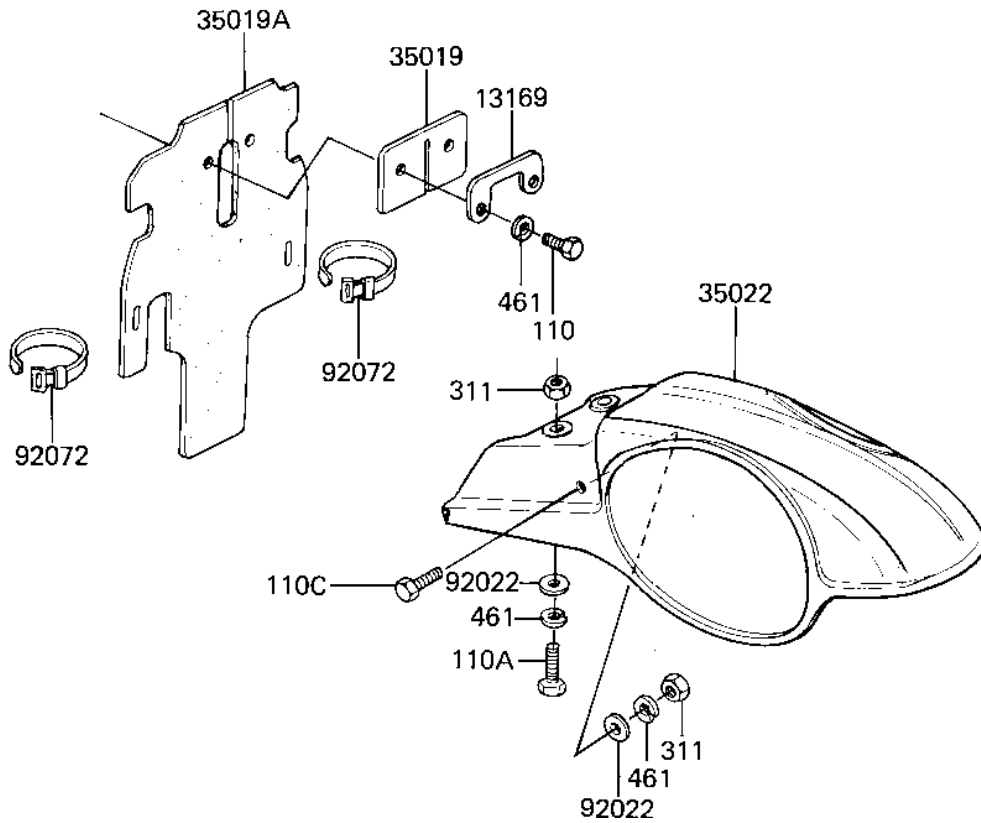
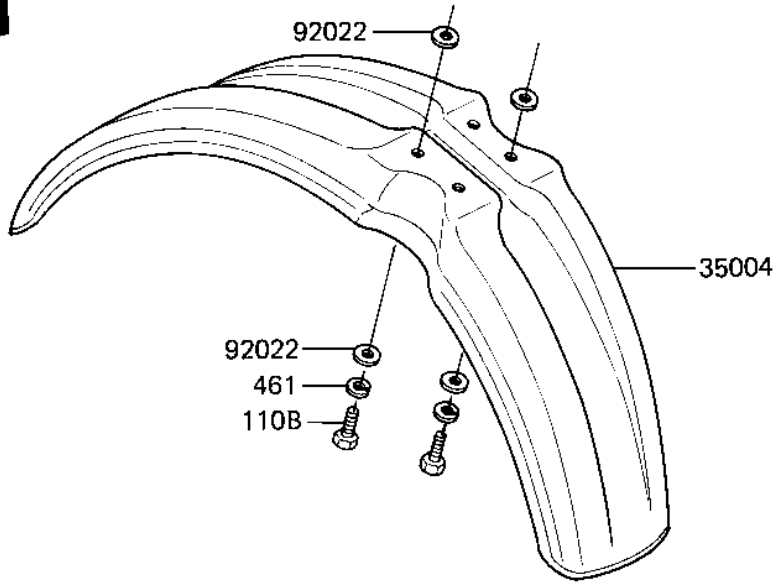


1982 KX80 PARTS DIAGRAM

FENDERS ('82 KX80-C2)

F2170-0103



1982 KX80 PARTS LIST

FENDERS ('82 KX80-C2)

| ITEM NAME | PART NUMBER | QUANTITY |
|----------------------------------|---------------|----------|
| PLATE,REAR FLAP (Ref # 13169) | 13169-1407 | 1 |
| FENDER-FR,L.GREEN (Ref # 35004) | 35004-1055-6W | 1 |
| FLAP,REAR FENDER (Ref # 35019) | 35019-1019 | 1 |
| FLAP,FENDER (Ref # 35019A) | 35019-1024 | 1 |
| FENDER-RR,L.GREEN (Ref # 35022) | 35022-1089-AE | 1 |
| WASHER 6.5X20X1.6T (Ref # 92022) | 92022-125 | 12 |
| BAND,SHORT (Ref # 92072) | 92072-030 | 2 |
| BOLT-UPSET 6X14 (Ref # 110) | 112B0614 | 2 |
| BOLT-UPSET,6X16 (Ref # 110A) | 112G0616 | 2 |
| BOLT-UPSET (Ref # 110B) | 112G0618 | 4 |
| BOLT-UPSET,6X20 (Ref # 110C) | 112G0620 | 2 |
| NUT 6MM (Ref # 311) | 311B0600 | 4 |
| WASHER SPRING 6MM (Ref # 461) | 461F0600 | 10 |