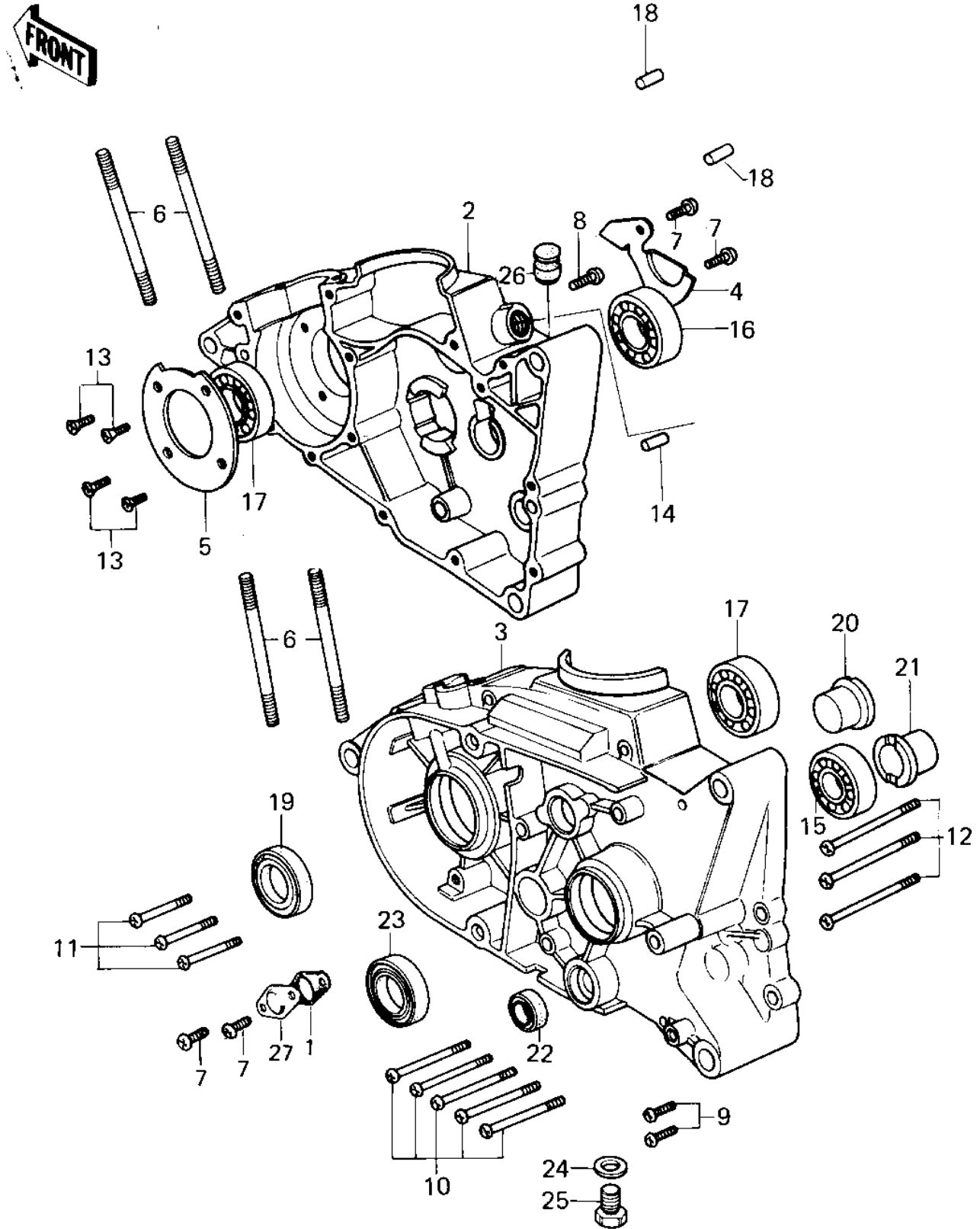


1981 KD80 PARTS DIAGRAM

CRANKCASE



1981 KD80 PARTS LIST

CRANKCASE

ITEM NAME	PART NUMBER	QUANTITY
GASKET NEUTRAL SWITCH (Ref # 1)	13146-002	
CRANKCASE,RH (Ref # 2)	14002-1205	
CRANKCASE,L.H. (Ref # 3)	14002-1072	
HOLDER BEARING MSSON (Ref # 4)	14014-008	
HOLDER CRANKSHAFT BRG (Ref # 5)	14014-017	
STUD 8X115 (Ref # 6)	172G08115	
SCREW PAN HEAD 6X12 (Ref # 7)	220B0612	
SCREW PAN HEAD 6X20 (Ref # 8)	220B0620	
SCREW PAN HEAD 6X25 (Ref # 9)	220B0625	
SCREW PAN HEAD 6X40 (Ref # 10)	220B0640	
SCREW PAN HEAD 6X60 (Ref # 11)	220B0660	
SCREW PAN HEAD 6X65 (Ref # 12)	220B0665	
SCREW CNTSNK HD 6X16 (Ref # 13)	221B0616	
PIN DOWEL 8X16 (Ref # 14)	551A0816	
BEARING BALL #6004 (Ref # 15)	601B6004	
BEARING BALL #6005 (Ref # 16)	601B6005	
BEARING BALL #6204 (Ref # 17)	601B6204	
BEARING-BALL,#6204 (Ref # 17)	92045-1032	
PIN DOWEL 5X12 (Ref # 18)	610A0512	
SEAL-OIL (Ref # 19)	92049-1240	
BUSH OUTPUT SHAFT (Ref # 20)	92028-025	
BUSH DRIVE SHAFT (Ref # 21)	92028-069	
OIL SEAL SB12205 (Ref # 22)	92049-004	
OIL SEAL SC25376 (Ref # 23)	92050-013	
GASKET CHECK VALVE (Ref # 24)	92065-058	
PLUG OIL DRAIN (Ref # 25)	92067-001	
RUBBER PLUG (Ref # 26)	92074-035	
PLUG-OIL PUMP-HOLE (Ref # 27)	92084-004	