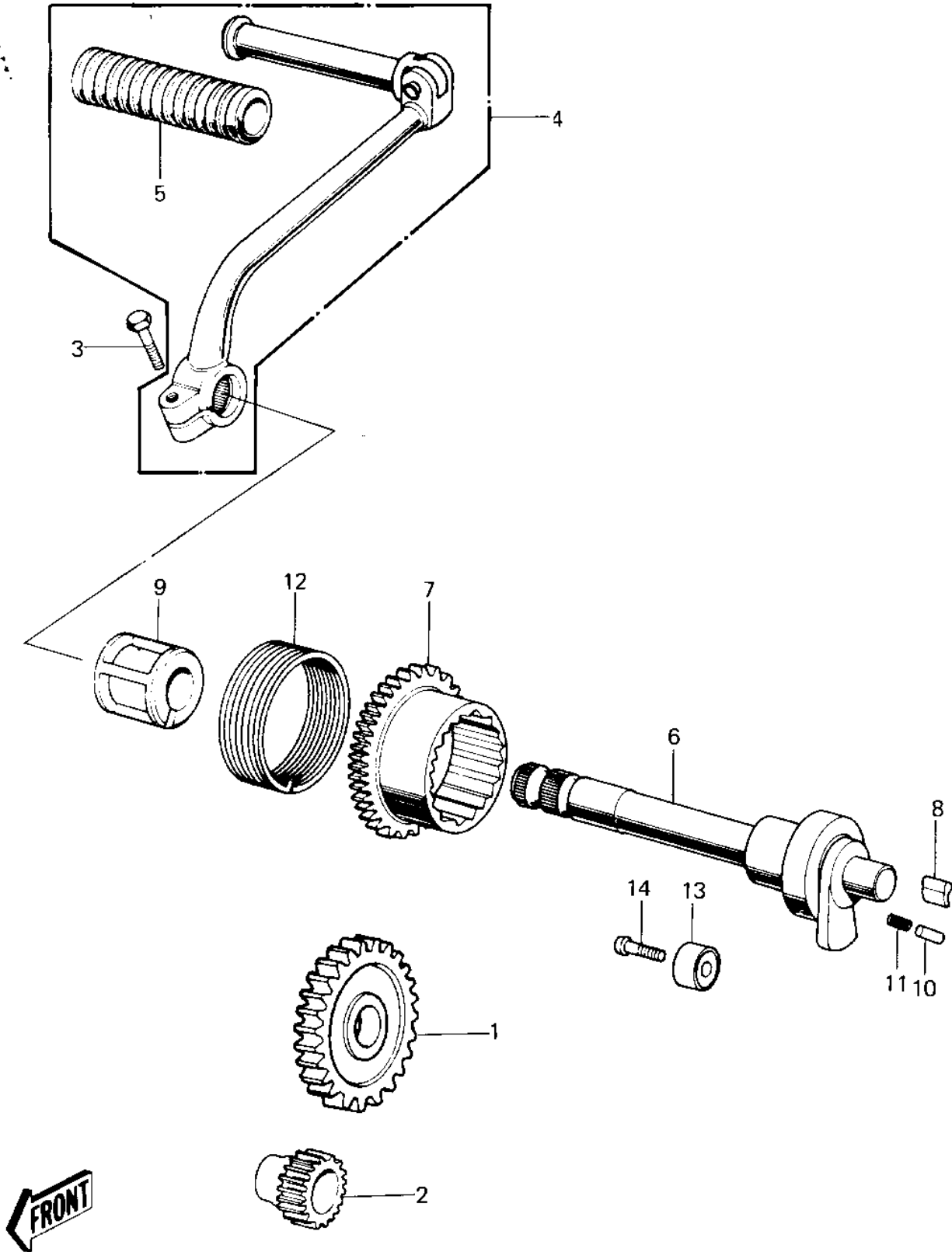


1981 KD80 PARTS DIAGRAM

KICKSTARTER MECHANISM



1981 KD80 PARTS LIST

KICKSTARTER MECHANISM

ITEM NAME	PART NUMBER	QUANTITY
IDLE GEAR (Ref # 1)	13073-004	
PINION KICKSTARTER (Ref # 2)	13075-004	
BOLT-SMALL-UPSET 8X25 (Ref # 3)	115G0825	
PEDAL, KICKSTARTER (Ref # 4)	13064-007	
RUBBER KICK PEDAL (Ref # 5)	13063-002	
SHAFT-KICK (Ref # 6)	13066-1022	
GEAR KICKSTARTER (Ref # 7)	13068-007	
PAWL KICKSTARTER (Ref # 8)	13069-005	
GUIDE KICK SPRING (Ref # 9)	13070-003	
P/N,KICKSTARTER PAWL (Ref # 10)	92043-013	
SPRING KICK PAWL (Ref # 11)	92081-014	
SPRING KICKSTARTER (Ref # 12)	92083-004	
STOPPER KICKSTARTER (Ref # 13)	13072-003	
SCREW CNTSNK HD 6X20 (Ref # 14)	221B0620	