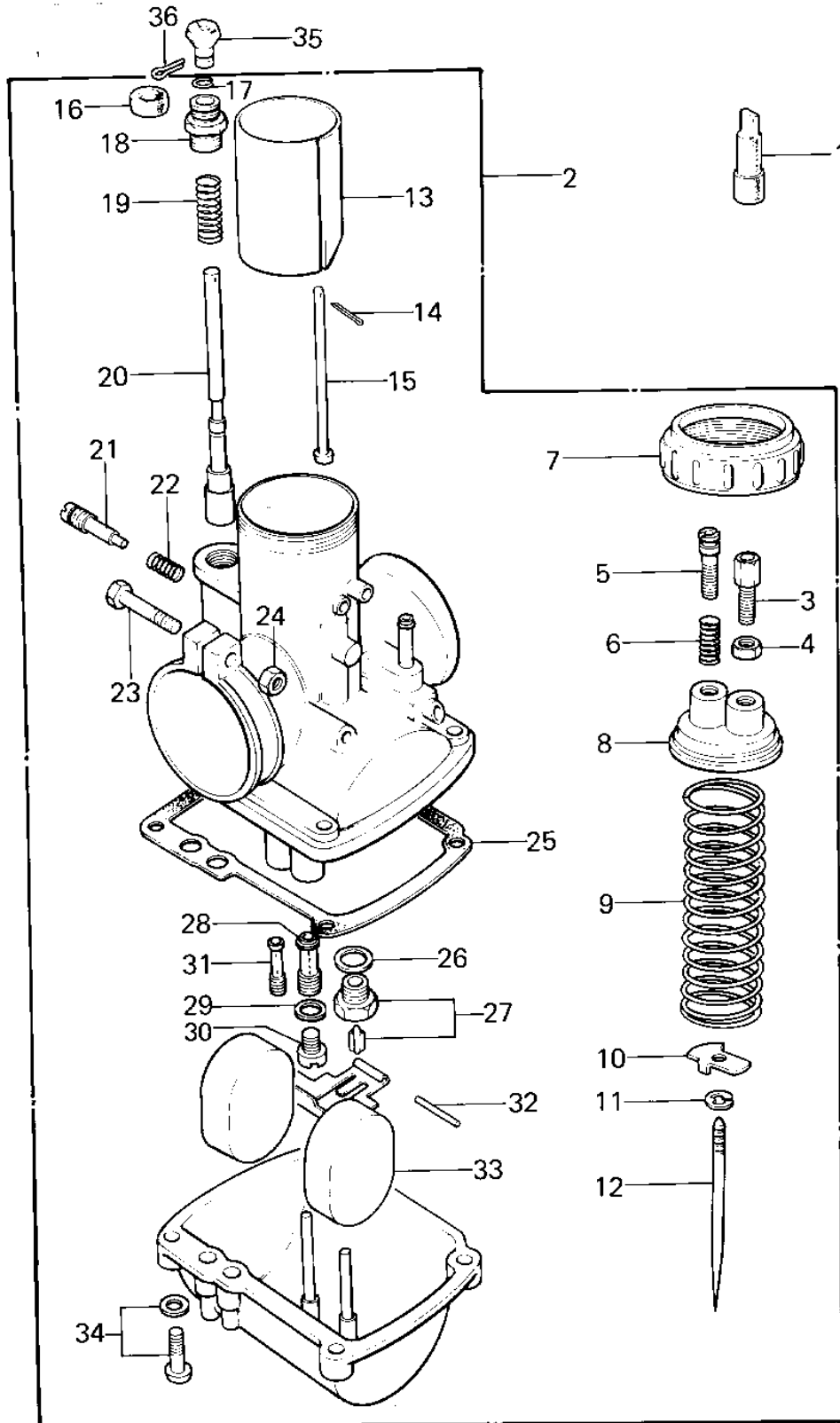


1981 KD80 PARTS DIAGRAM

CARBURETOR



1981 KD80 PARTS LIST

CARBURETOR

ITEM NAME	PART NUMBER	QUANTITY
PLUG,CARBURETOR CAP (Ref # 1)	16147-001	
CARBURETOR ASSY (Ref # 2)	16001-251	
ADJUSTER,CABLE (Ref # 3)	16002-017	
NUT CABLE ADJUST LOCK (Ref # 4)	16003-004	
SCREW,THROTTLE STOP (Ref # 5)	16021-002	
SPRING THR STOP SCREW (Ref # 6)	16022-005	
CAP MIXING CHAMBER (Ref # 7)	16004-010	
TOP MIXING CHAMBER (Ref # 8)	16005-005	
SPRING THROTTLE VALVE (Ref # 9)	16006-013	
SPRING SEAT,THRTL TL (Ref # 10)	16007-020	
CIRCLIP (Ref # 11)	16008-010	
JET NEEDLE 4EJ7 (Ref # 12)	16009-059	
VALVE,THROTTLE CA2.0 (Ref # 13)	16025-057	
PIN COTTER 1.2X10 (Ref # 14)	550D1210	
ROD,THROTTLE VLV STP (Ref # 15)	16024-012	
CAP,STARTER PLUNGER (Ref # 16)	16036-012	
CIRCLIP (Ref # 17)	92037-1077	
CAP STARTER PLUNGER (Ref # 18)	16012-010	
SPRING,STARTER PLUNGR (Ref # 19)	16013-010	
PLUNGER,STARTER (Ref # 20)	16016-012	
SCREW PILOT AIR ADJST (Ref # 21)	16014-002	
SPRING-THR STOP SCREW (Ref # 22)	16022-007	
SCREW CLAMP (Ref # 23)	16010-004	
NUT 6MM (Ref # 24)	311B0600	
GASKET,FLOAT CHAMBER (Ref # 25)	16019-021	
WASHER VALVE SEAT (Ref # 26)	16029-002	
FLOAT VALVE ASSY (Ref # 27)	16030-009	
NEEDLE JET O-Z (Ref # 28)	16017-068	
WASHER MAIN JET (Ref # 29)	16034-001	

1981 KD80 PARTS LIST

CARBURETOR

ITEM NAME	PART NUMBER	QUANTITY
MAIN JET, #A80 (Ref # 30)	92063-1030	
MAIN JET NO 75R (Ref # 30)	92063-109	
MAIN JET,#77.5R (Ref # 30)	92063-1032	
MAIN JET NO 82.5R (Ref # 30)	92063-124	
MAIN JET NO 85R (Ref # 30)	92063-093	
PILOT JET #17.5 ISO (Ref # 31)	92064-020	
FLOAT PIN (Ref # 32)	16032-003	
FLOAT (Ref # 33)	16031-015	
SCREW-FLOAT CHAMBER (Ref # 34)	16033-012	
KNOB,CARBURETOR (Ref # 35)	92077-022	
PIN COTTER 1.6X15 (Ref # 36)	550D1615	