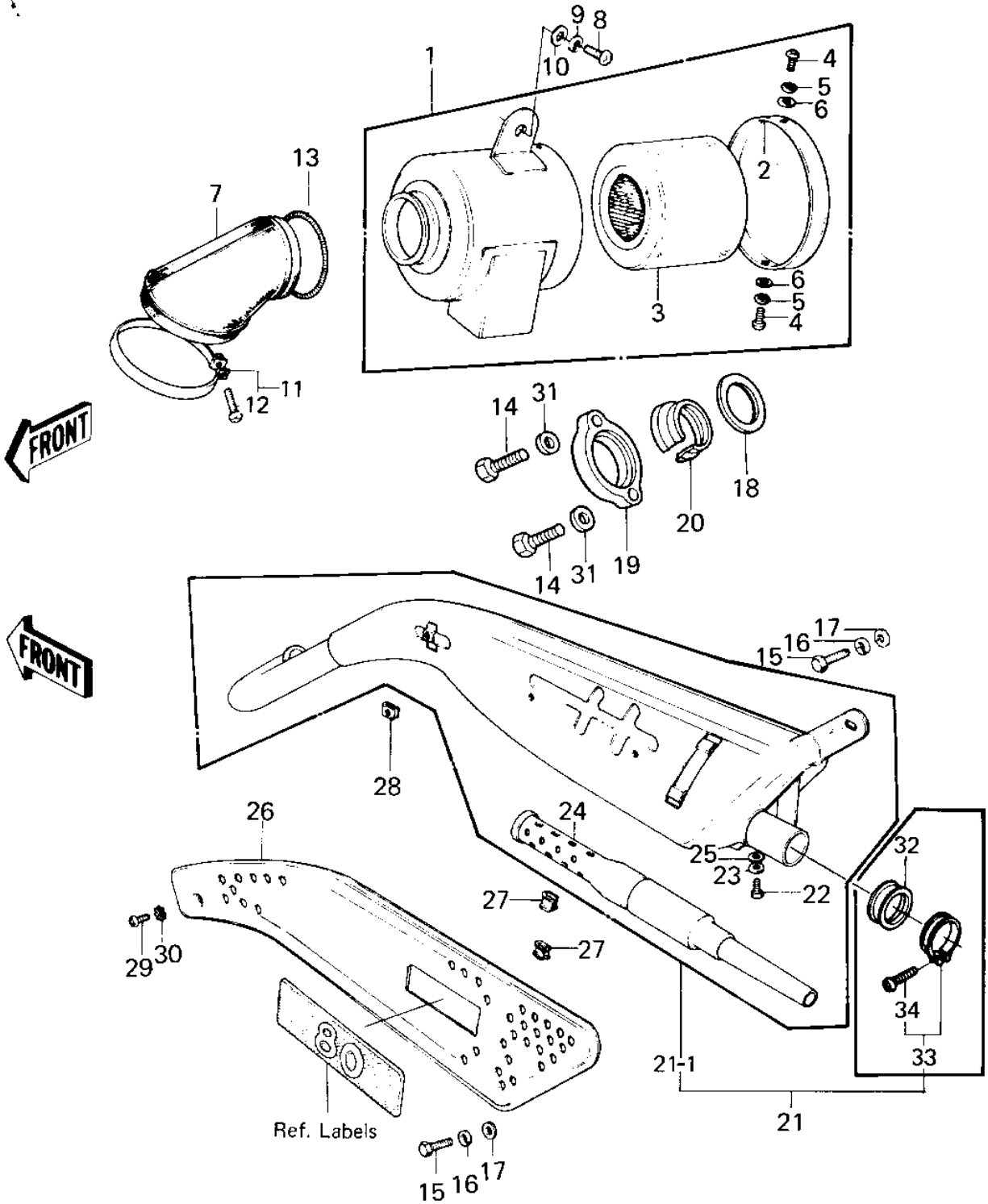


1981 KD80 PARTS DIAGRAM

AIR CLEANER/MUFFLER



1981 KD80 PARTS LIST

AIR CLEANER/MUFFLER

ITEM NAME	PART NUMBER	QUANTITY
AIR CLEANER ASY,BLACK (Ref # 1)	11010-068-10	
CAP,AIR CLEANER (Ref # 2)	11012-041	
ELEMENT,AIR,CLNR (Ref # 3)	11013-044	
SCREW PAN HEAD 5X8 (Ref # 4)	220B0508	
WASHER SPRING 5MM (Ref # 5)	461F0500	
WASHER PLAIN 5MM (Ref # 6)	410B0500	
CONNECTOR,AIR CLEANER (Ref # 7)	11026-009	
SCREW PAN HEAD 6X12 (Ref # 8)	220B0612	
WASHER SPRING 6MM (Ref # 9)	461F0600	
WASHER PLAIN 6MM (Ref # 10)	410B0600	
CLAMP-AIR CLEANER (Ref # 11)	92037-068	
SCREW PAN HEAD 6X35 (Ref # 12)	220B0635	
SPRING COIL (Ref # 13)	92081-047	
BOLT-UPSET,6X35 (Ref # 14)	112G0635	
BOLT-SMALL-UPSET,8X16 (Ref # 15)	115G0816	
BOLT-SMALL-UPSET,8X16 (Ref # 15)	115G0816	
WASHER SPRING 8MM (Ref # 16)	461F0800	
WASHER PLAIN 8MM (Ref # 17)	411B0800	
GASKET,EXHAUST PIPE H (Ref # 18)	11009-1866	
HOLDER,EX PIPE,BLACK (Ref # 19)	18069-035-21	
INSERT-EXHAUST HOLDER (Ref # 20)	18070-005	
MUFFLER ASSY (Ref # 21)	18001-1113	
MUFFLER (Ref # 21-1)	18001-5116	
BOLT,6X10 (Ref # 22)	112G0610	
WASHER PLAIN 6MM (Ref # 23)	410B0600	
BAFFLE TUBE (Ref # 24)	49099-1027	
WASHER-PLAIN (Ref # 25)	92022-183	
COVER,MUFFLER (Ref # 26)	18064-018	
INSULATOR (Ref # 27)	18065-007	

1981 KD80 PARTS LIST

AIR CLEANER/MUFFLER

ITEM NAME	PART NUMBER	QUANTITY
INSULATOR-HEAT (Ref # 28)	18065-009	
SCREW PAN HEAD 6X12 (Ref # 29)	220B0612	
WASHER LOCK 6MM (Ref # 30)	463H0600	
WASHER SPRING 6MM (Ref # 31)	461F0600	
CONNECTOR,BAFFLETUBE (Ref # 32)	92093-1042	
CONNECTOR,BAFFLETUBE (Ref # 32)	92093-1042	
CLAMP,CARBURETOR HLDR (Ref # 33)	92037-178	
SCREW-PAN-CROS,5X25 (Ref # 34)	220B0525	