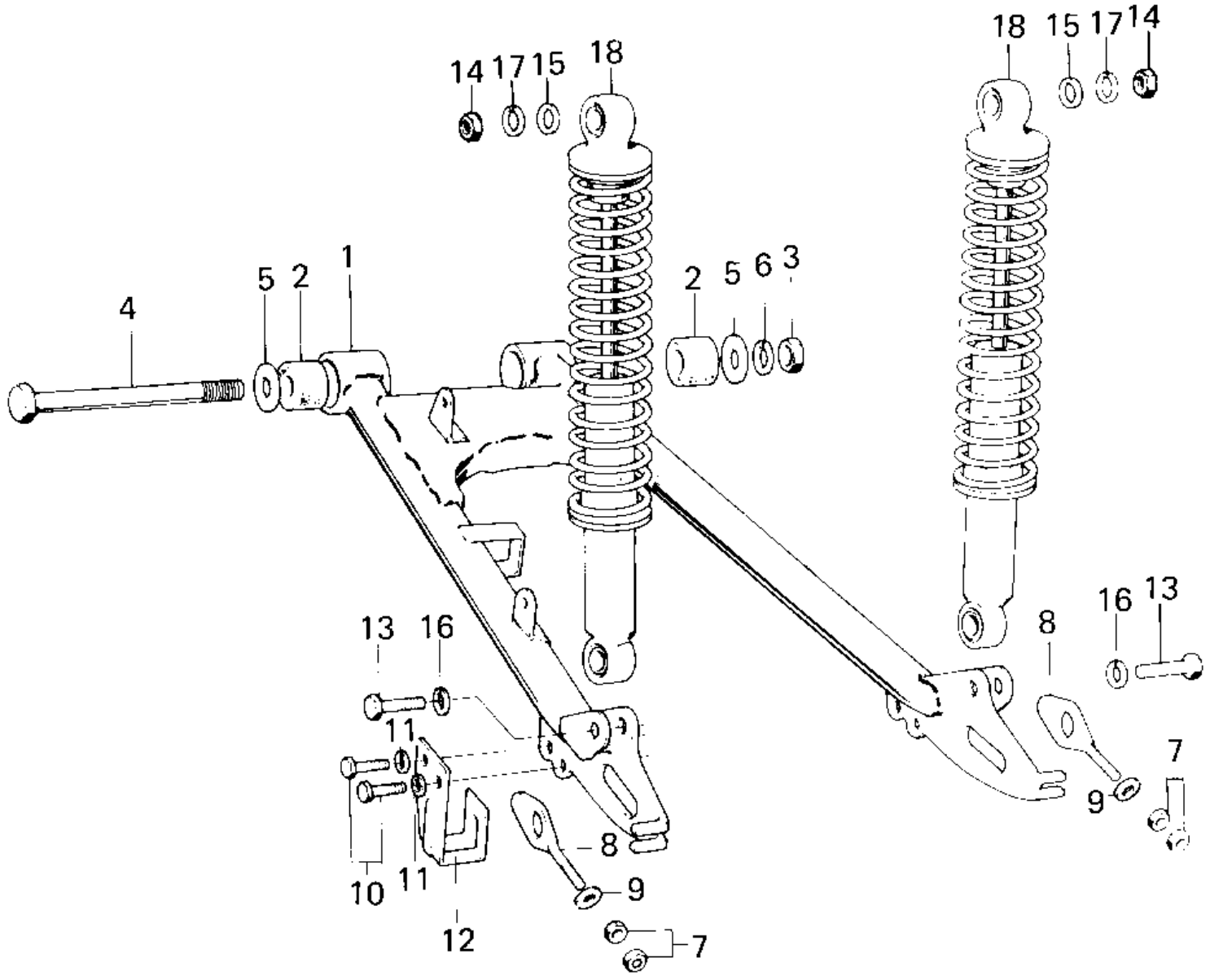


1981 KD80 PARTS DIAGRAM

SWING ARM/SHOCK ABSORBERS



1981 KD80 PARTS LIST

SWING ARM/SHOCK ABSORBERS

ITEM NAME	PART NUMBER	QUANTITY
ARM,SWINGING (Ref # 1)	33001-1045	
BUSH SWING ARM SHAFT (Ref # 2)	92092-005	
NUT-HEX-FINE (Ref # 3)	314B1200	
SHAFT,SWING ARM PIVOT (Ref # 4)	33032-043	
WASHER PLAIN 12MM (Ref # 5)	410B1200	
WASHER SPRING 12MM (Ref # 6)	461F1200	
NUT 6MM (Ref # 7)	311B0600	
ADJUSTER CHAIN (Ref # 8)	33040-008	
WASHER,6.5X16X2 (Ref # 9)	92022-1565	
BOLT-UPSET 6X14 (Ref # 10)	112B0614	
WASHER SPRING 6MM (Ref # 11)	461F0600	
GUARD,CHAIN (Ref # 12)	55020-012	
BOLT-UPSET,10X30 (Ref # 13)	112G1030	
NUT-HEX-FINE,12MM (Ref # 14)	315B1200	
WASHER PLAIN 12MM (Ref # 15)	410B1200	
WASHER SPRING 10MM (Ref # 16)	461F1000	
WASHER SPRING 12MM (Ref # 17)	461F1200	
SHOCKABSORBER (Ref # 18)	45014-1214	