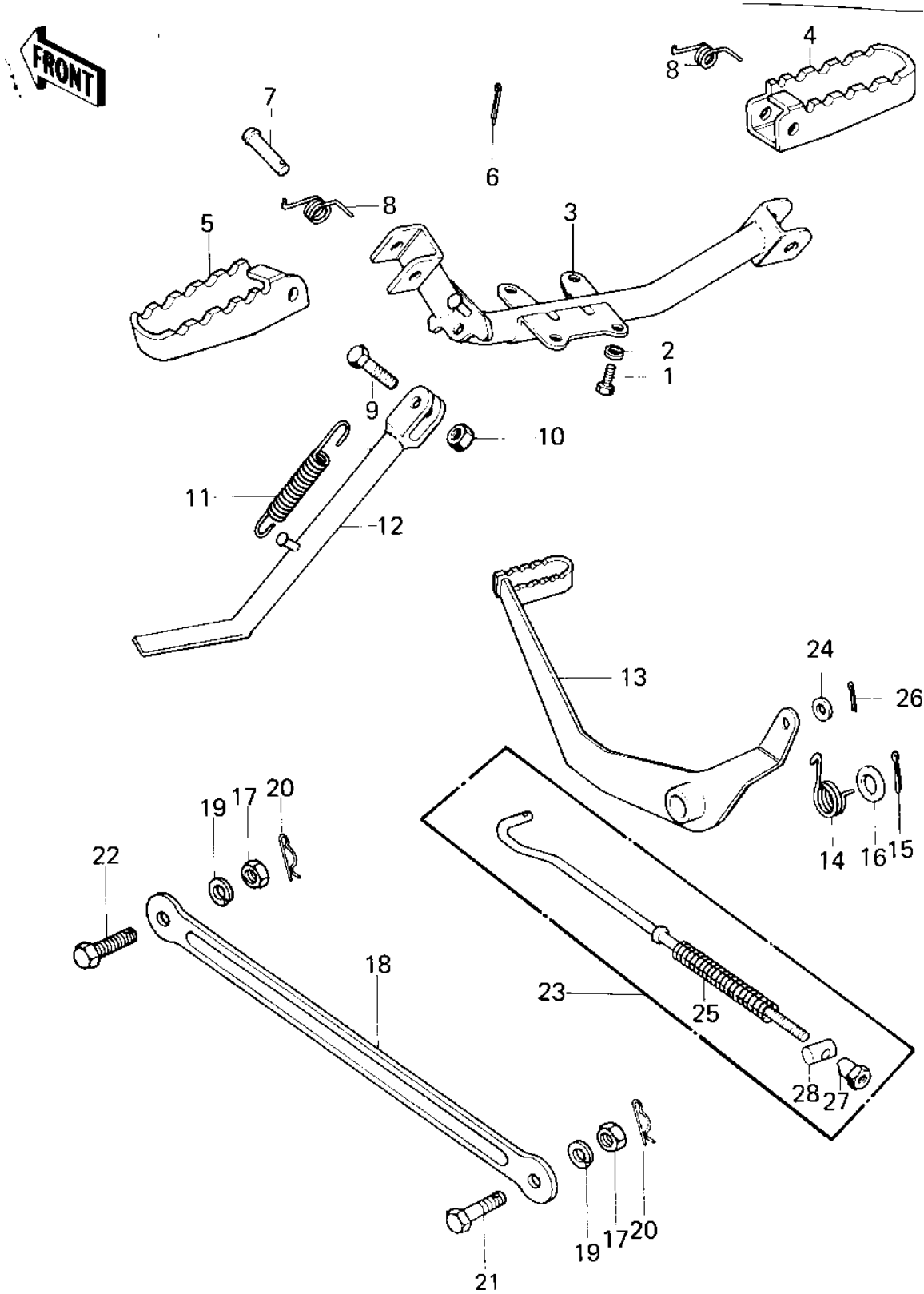


1981 KD80 PARTS DIAGRAM

FOOTRESTS/STAND/BRAKE PEDAL



1981 KD80 PARTS LIST

FOOTRESTS/STAND/BRAKE PEDAL

ITEM NAME	PART NUMBER	QUANTITY
BOLT-SMALL-UPSET,8X18 (Ref # 1)	115G0818	
BOLT-SMALL-UPSET,8X18 (Ref # 1)	115G0818	
WASHER SPRING 8MM (Ref # 2)	461F0800	
BAR,FOOTREST (Ref # 3)	34002-047	
BAR,R.H FOOTREST (Ref # 4)	34028-023	
BAR,L.H FOOTREST (Ref # 5)	34028-024	
PIN COTTER 2.5X16 (Ref # 6)	550D2516	
PIN-FOOTREST BAR FIT (Ref # 7)	92043-080	
SPRING,FOOTRESTBAR (Ref # 8)	92083-027	
BOLT,10X28 (Ref # 9)	113G1028	
NUT,10MM (Ref # 10)	314B1000	
SPRING MAIN STAND (Ref # 11)	34023-005	
STAND-SIDE (Ref # 12)	34024-1013	
PEDAL,BRAKE (Ref # 13)	43001-062	
SPRING-BRAKE PEDAL (Ref # 14)	43005-020	
PIN COTTER 3.0X30 (Ref # 15)	550D3030	
WASHER BRAKE PEDAL (Ref # 16)	92022-085	
NUT,10MM (Ref # 17)	314B1000	
TORQUE LINK,RR BRAKE (Ref # 18)	43007-037	
WASHER SPRING 10MM (Ref # 19)	461F1000	
PIN,SNAP (Ref # 20)	554A0800	
BOLT HEX HEAD 10X25 (Ref # 21)	92003-003	
BOLT TORQUE LINK FIT (Ref # 22)	92003-017	
ROD ASSY,REAR BRAKE (Ref # 23)	43010-5004	
WASHER PLAIN 6MM (Ref # 24)	410B0600	
SPRING,BRAKE ROD (Ref # 25)	43012-001	
PIN COTTER 2.0X15 (Ref # 26)	550D2015	
NUT-BRAKE ROD ADJUST (Ref # 27)	92015-042	
PIN BRAKE (Ref # 28)	92043-039	