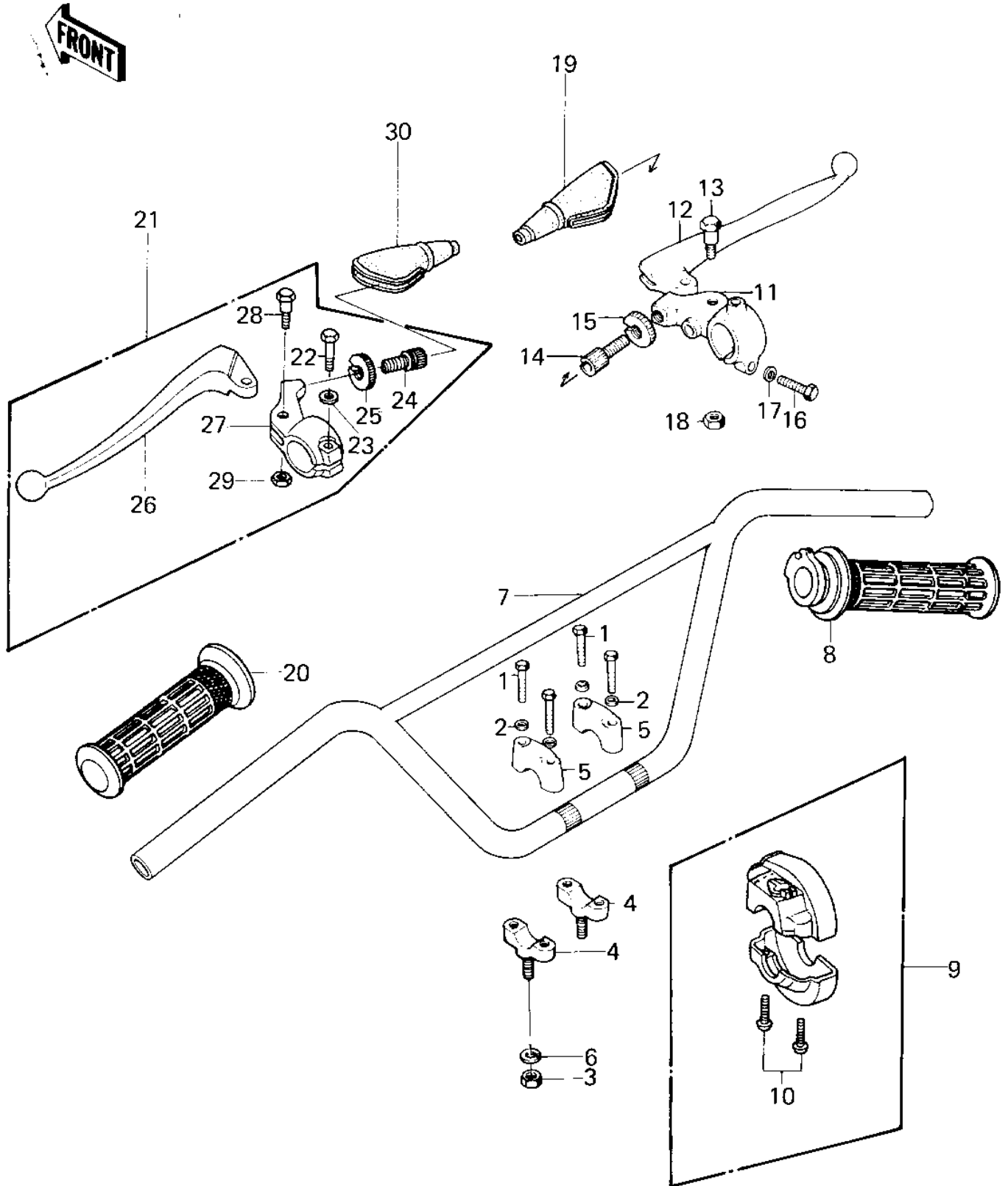


1981 KD80 PARTS DIAGRAM

HANDLEBAR



1981 KD80 PARTS LIST

HANDLEBAR

| ITEM NAME | PART NUMBER | QUANTITY |
|----------------------------------|--------------|----------|
| BOLT HEX HEAD 8X35 (Ref # 1) | 110N0835 | |
| BOLT HEX HEAD (Ref # 1) | 114N0835 | |
| WASHER SPRING 8MM (Ref # 2) | 461F0800 | |
| NUT,10MM (Ref # 3) | 314B1000 | |
| HOLDER,HANDLEBAR,BUFF (Ref # 4) | 46012-002-80 | |
| HOLDER UPPER HANDLEBAR (Ref # 5) | 46012-004 | |
| WASHER SPRING 10MM (Ref # 6) | 461F1000 | |
| HANDLEBAR,FLAT BLACK (Ref # 7) | 46003-1055 | |
| GRIP ASSY,THROTTLE (Ref # 8) | 46019-1005 | |
| HOUSING ASSY,CONT,R.H (Ref # 9) | 46091-1041 | |
| SCREW PAN HEAD 5X18 (Ref # 10) | 220B0518 | |
| HOLDER,FR LEVER,F.BLK (Ref # 11) | 46060-011-21 | |
| LEVER FRONT BRAKE (Ref # 12) | 46058-004 | |
| BOLT,HEX HEAD,5X22 (Ref # 13) | 92007-046 | |
| SCREW,CABLE ADJUST (Ref # 14) | 46055-010 | |
| NUT-LOCK (Ref # 15) | 46056-005 | |
| BOLT HEX HEAD 6X25 (Ref # 16) | 110N0625 | |
| WASHER,PLAIN,6MM (Ref # 17) | 410D0600 | |
| GRIP,L.H. (Ref # 20) | 46075-1004 | |
| LEVER ASSY,CLUTCH (Ref # 21) | 46076-045 | |
| BOLT HEX HEAD 6X25 (Ref # 22) | 110N0625 | |
| WASHER,PLAIN,6MM (Ref # 23) | 410D0600 | |
| SCREW CABLE ADJUST (Ref # 24) | 46055-003 | |
| NUT-LOCK (Ref # 25) | 46056-005 | |
| LEVER-CLUTCH (Ref # 26) | 46092-015 | |
| HOLDER,CL LEVER,F.BLK (Ref # 27) | 46094-015-21 | |
| BOLT,HEX HEAD,5X22 (Ref # 28) | 92007-046 | |
| NUT-LOCK,5MM (Ref # 29) | 92019-014 | |
| BOOTS,LEVER HOLDER (Ref # 30) | 49006-1017 | |