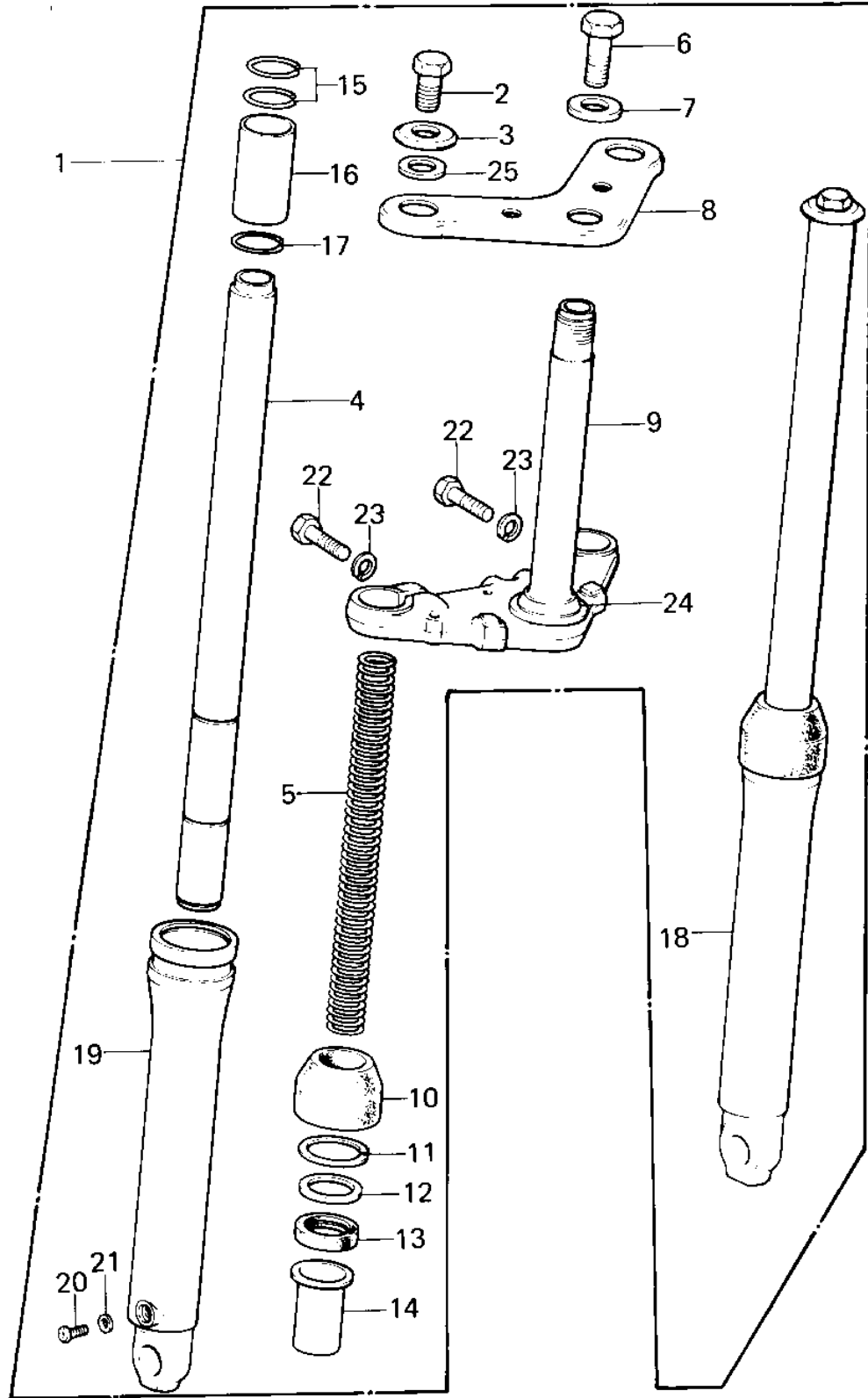


1980 KD80 PARTS DIAGRAM

FRONT FORK



1980 KD80 PARTS LIST

FRONT FORK

ITEM NAME	PART NUMBER	QUANTITY
FORK-FRONT (Ref # 1)	44001-1419	1
BOLT (Ref # 2)	92001-1742	2
WASHER (Ref # 3)	92022-1381	2
TUBE,FORK INNER (Ref # 4)	44013-1034	2
SPRING,FORK INNER (Ref # 5)	44026-1050	2
BOLT-UPSET,10X30 (Ref # 6)	112G1030	1
WASHER (Ref # 7)	92022-1381	1
HEAD,STEERING STEM (Ref # 8)	44039-1025	1
STEM,STEERING (Ref # 9)	44037-1034	1
DUST SHIELD,FORK (Ref # 10)	44010-024	2
CIRCLIP,40MM (Ref # 11)	44044-016	2
WASHER,FORK OUTER TUB (Ref # 12)	44043-054	2
SEAL-OIL,OUTER TUBE (Ref # 13)	92049-1075	2
GUIDE,FORK INNER TUBE (Ref # 14)	44015-016	2
RING,INNER TUBE GUIDE (Ref # 15)	44020-003	4
PISTON,FORK (Ref # 16)	44018-007	2
CIRCLIP,FORK PISTON (Ref # 17)	44044-017	2
TUBE,RH,FORK OUTER (Ref # 18)	44006-050	1
TUBE,LH,FORK OUTER (Ref # 19)	44005-052	1
SCREW PAN HEAD 4X6 (Ref # 20)	220B0406	2
GASKET,FORK DRAIN PLG (Ref # 21)	44045-046	2
BOLT,HEX HEAD 10X35 (Ref # 22)	92001-1252	2
WASHER SPRING 10MM (Ref # 23)	461F1000	2
CONE LOWER BEARING (Ref # 24)	92047-004	1
GASKET,FORK TOP BOLT (Ref # 25)	44045-053	1