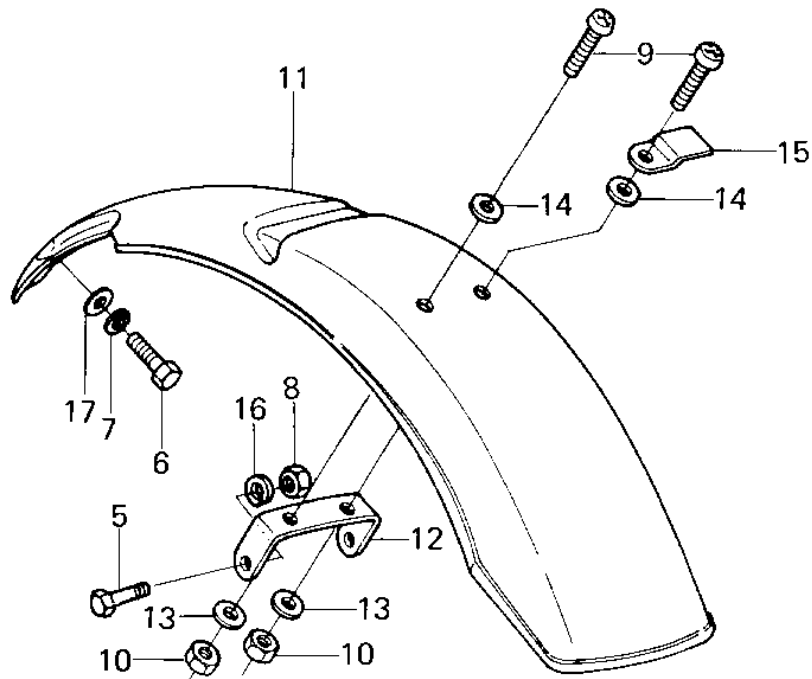
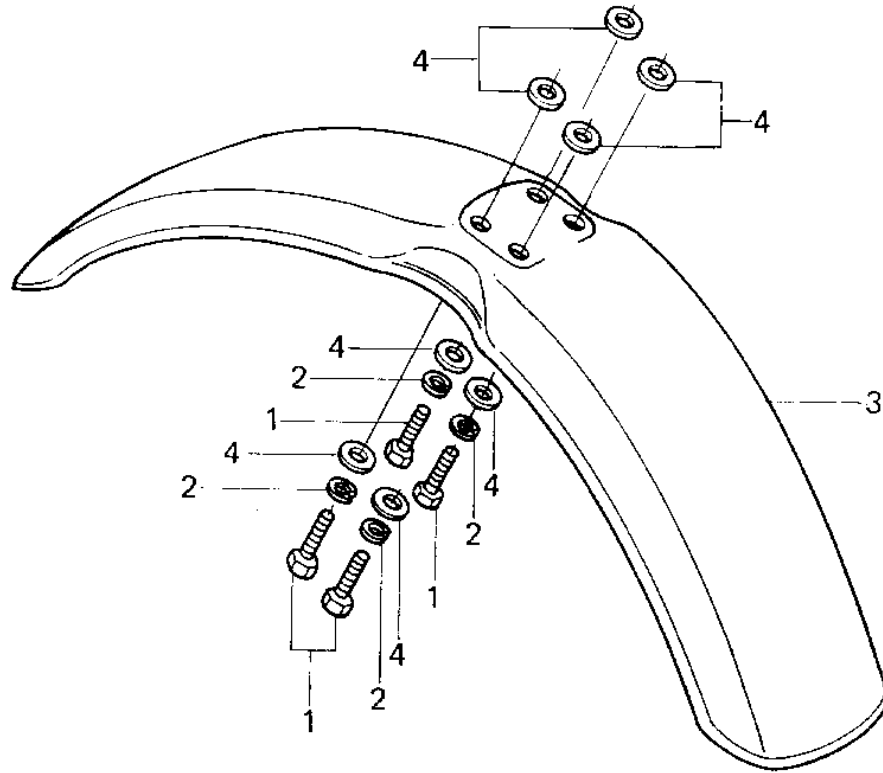


# 1981 KD80 PARTS DIAGRAM

## FENDERS



# 1981 KD80 PARTS LIST

## FENDERS

ITEM NAME	PART NUMBER	QUANTITY
BOLT-UPSET (Ref # 1)	112G0618	
WASHER SPRING 6MM (Ref # 2)	461F0600	
FENDER-FR,C.ORANGE (Ref # 3)	35004-1043-6H	
FENDER-FR,F.RED (Ref # 3)	35004-1043-6L	
FENDER-FR,B.BLUE (Ref # 3)	35004-1043-6K	
WASHER 6.5X20X1.6T (Ref # 4)	92022-125	
BOLT-SMALL-FINE (Ref # 5)	113B1228	
BOLT-UPSET 6X14 (Ref # 6)	112B0614	
WASHER SPRING 6MM (Ref # 7)	461F0600	
NUT-HEX-FINE,12MM (Ref # 8)	315B1200	
SCREW PAN HEAD 6X16 (Ref # 9)	220B0616	
NUT 6MM (Ref # 10)	311B0600	
FENDER-RR,C.ORANGE (Ref # 11)	35022-1044-6H	
FENDER-RR,F.RED (Ref # 11)	35022-1044-6L	
FENDER-RR,B.BLUE (Ref # 11)	35022-1044-6K	
BRACKET,REAR FENDER (Ref # 12)	35025-025	
WASHER PLAIN 6MM (Ref # 13)	410B0600	
WASHER 6.5X20X1.6T (Ref # 14)	92022-125	
CLAMP CABLE (Ref # 15)	92037-020	
WASHER SPRING 12MM (Ref # 16)	461F1200	
WASHER 6.5X20X1.6T (Ref # 17)	92022-125	