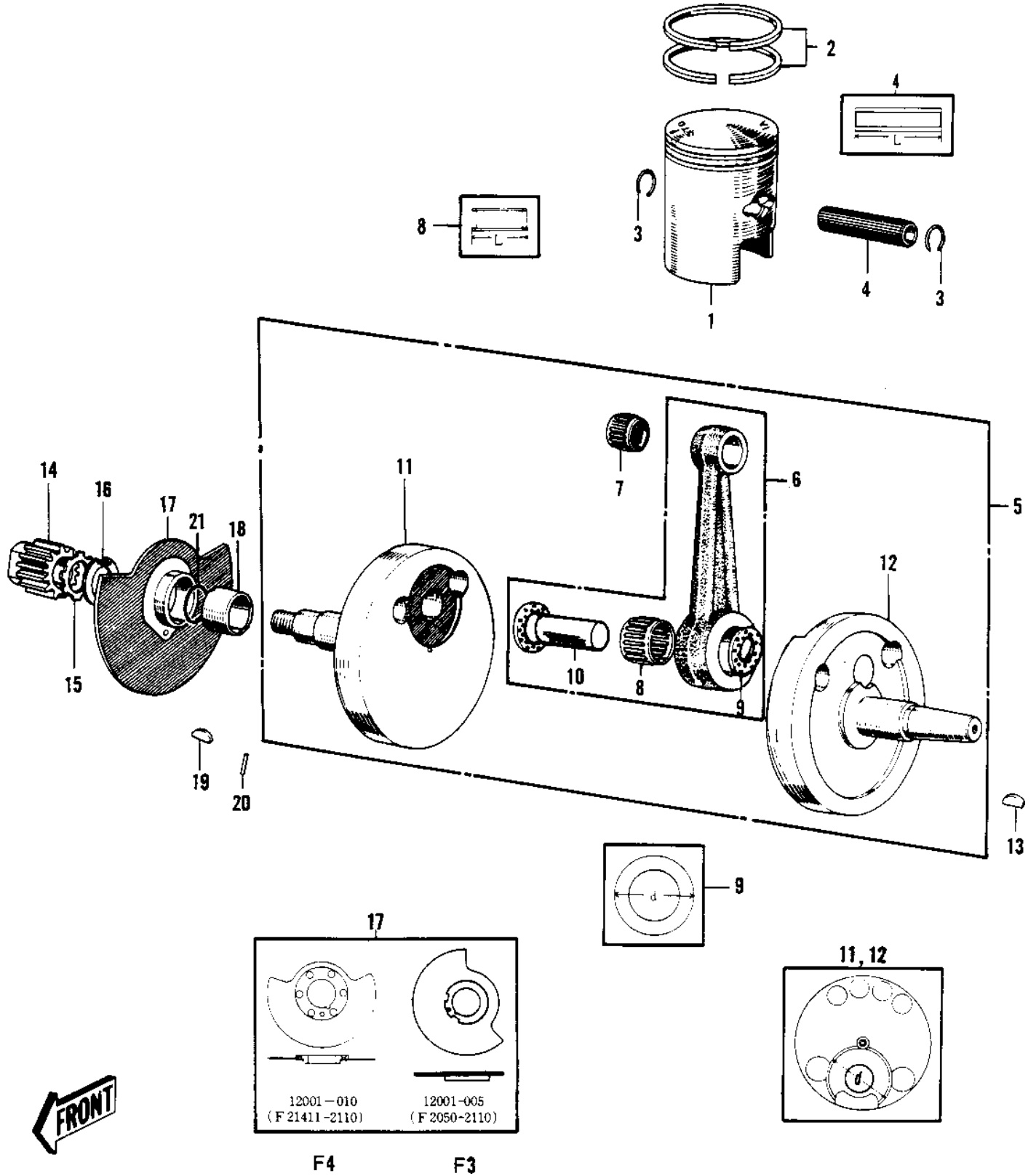


# 1968 Bushwhacker PARTS DIAGRAM

CRANKSHAFT/PISTON/ROTARY VALVE



# 1968 Bushwhacker PARTS LIST

## CRANKSHAFT/PISTON/ROTARY VALVE

ITEM NAME	PART NUMBER	QUANTITY
PISTON STD (Ref # 1)	13001-024	
PISTON 0.020' O.S (Ref # 1)	13029-021	
PISTON 0.040' O.S (Ref # 1)	13027-022	
RING SET STD (Ref # 2)	13008-021	
RING SET 0.020' O.S (Ref # 2)	13025-023	
RING SET 0.040' O.S (Ref # 2)	13024-026	
CIRCLIP PISTON PIN (Ref # 3)	92036-004	
PIN-PISTON (Ref # 4)	13002-010	
CRANK - CONROD ASSY (Ref # 5)	13031-027	
CONNECTING ROD SET (Ref # 6)	13044-004	
UNAVAILABLE IN PRICE BOOK (Ref # 7)	13033-011	
BEARING-NEEDLE (Ref # 7)	92046-1038	
NEEDLE BEARING BG END (Ref # 8)	13034-010	
WASHER SIDE (Ref # 9)	92026-024	
CRANK PIN (Ref # 10)	13035-005	
CRANKSHAFT R.H (Ref # 11)	13038-015	
CRANKSHAFT L.H (Ref # 12)	13037-021	
WOODRUFF KEY (Ref # 13)	92038-001	
PINION OIL PUMP (Ref # 14)	16084-003	
WASHER LOCK 12MM (Ref # 15)	464H1200	
WASHER LOCK 12MM (Ref # 16)	92024-002	
VALVE ROTARY DISC (Ref # 17)	12001-005	
COLLAR CRANKSHAFT (Ref # 18)	92027-017	
WOODRUFF KEY PRY PINI (Ref # 19)	92038-003	
PIN DOWEL 4X12 (Ref # 20)	610A0412	
"0" RING,18MM (Ref # 21)	92055-012	
"0" RING,OIL FIL PLUG (Ref # 21)	92055-026	