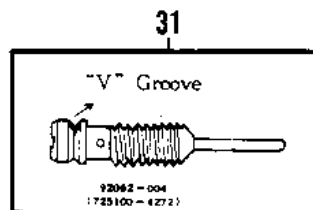
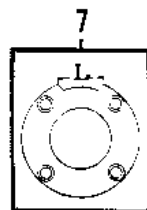
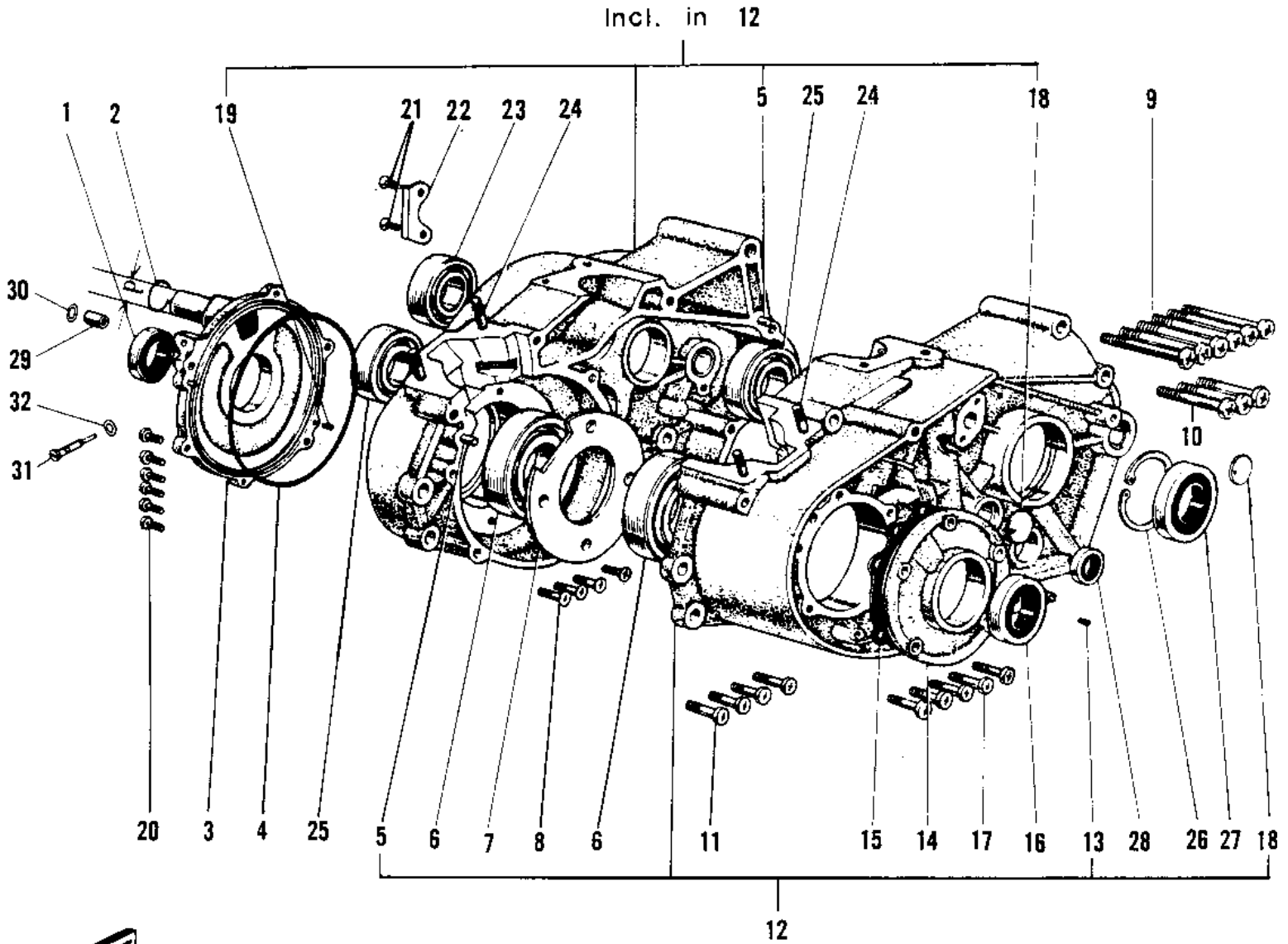


1969 Bushwhacker PARTS DIAGRAM

CRANKCASE



1969 Bushwhacker PARTS LIST

CRANKCASE

ITEM NAME	PART NUMBER	QUANTITY
OIL SEAL TB32457 (Ref # 1)	653B324507	
"0" RING,35MM (Ref # 2)	671B2535	
COVER ROTARY DISC VLV (Ref # 3)	14019-027	
"0" RING,126MM (Ref # 4)	92055-013	
PIN DOWEL 8X16 (Ref # 5)	551A0816	
BEARING BALL #6305 (Ref # 6)	601B6305	
HOLDER BEARING (Ref # 7)	14014-005	
SCREW CNTSNK HD 6X16 (Ref # 8)	221B0616	
SCREW PAN HEAD 6X60 (Ref # 9)	220B0660	
SCREW PAN HEAD 6X50 (Ref # 10)	220B0650	
SCREW PAN HEAD 6X45 (Ref # 11)	220B0645	
CRANKCASE SET (Ref # 12)	14001-015	
PIN DOWEL 3X12 (Ref # 13)	551A0312	
RETAINER OIL SEAL (Ref # 14)	14020-006	
GASKET OIL SEAL RETNR (Ref # 15)	14023-004	
SEAL-OIL (Ref # 16)	92049-1250	
SCREW CNTSNK HD 6X12 (Ref # 17)	221B0612	
PLUG (Ref # 18)	92084-001	
PIN DOWEL 5X12 (Ref # 19)	610A0512	
SCREW PAN HEAD 6X20 (Ref # 20)	220B0620	
SCREW PAN HEAD 6X14 (Ref # 21)	220B0614	
HOLDER BEARING (Ref # 22)	14014-004	
BEARING BALL #6203 (Ref # 23)	601B6203	
STUD 8X22 (Ref # 24)	172G0822	
BEARING BALL #6204 (Ref # 25)	601B6204	
CIRCLIP,47M/M (Ref # 26)	92033-1042	
OIL SEAL SC25476 (Ref # 27)	92050-006	
SEAL-OIL (Ref # 28)	92049-1249	
PIN DOWEL 8X16 (Ref # 29)	92042-017	

1969 Bushwhacker PARTS LIST

CRANKCASE

ITEM NAME	PART NUMBER	QUANTITY
"0" RING,8MM (Ref # 30)	92055-029	
NOZZLE OIL INJECTION (Ref # 31)	92062-002	
NOZZLE OIL INJECTION (Ref # 31)	92062-004	
"0" RING,5MM (Ref # 32)	92055-011	