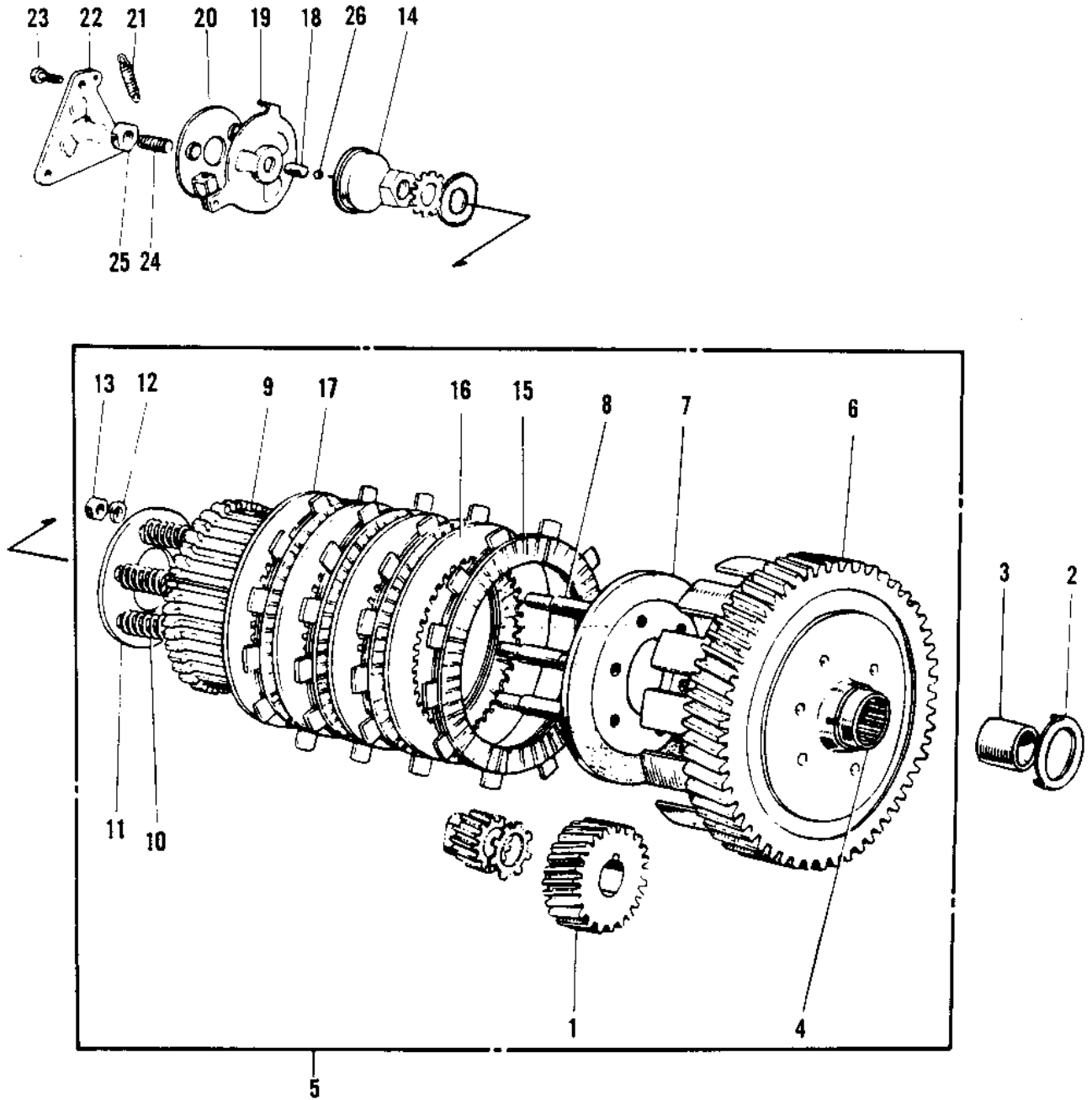


1968 Bushwhacker PARTS DIAGRAM

CLUTCH



1968 Bushwhacker PARTS LIST

CLUTCH

ITEM NAME	PART NUMBER	QUANTITY
PINION PRIMARY (Ref # 1)	13121-005	
THRUST WASHER 5MM (Ref # 2)	92026-004	
BUSH CLUTCH (Ref # 3)	13125-002	
BEARING CLUTCH NEEDLE (Ref # 4)	92046-012	
CLUTCH-ASSY (Ref # 5)	13081-017	
HOUSING CLUTCH (Ref # 6)	13096-003	
BASE CLUTCH (Ref # 7)	13086-002	
STUD CLUTCH BASE (Ref # 8)	92006-001	
STUD CLUTCH BASE (Ref # 9)	13087-003	
CLUTCH,HUB (Ref # 9)	13087-037	
SPRING CLUTCH (Ref # 10)	92081-019	
PLATE CLUTCH SPRING (Ref # 11)	13091-001	
WASHER SPRING 8MM (Ref # 12)	461F0800	
WASHER SPRING 8MM (Ref # 12)	461F0800	
NUT 8MM (Ref # 13)	312B0800	
PUSHER CLUTCH SPRING (Ref # 14)	13113-002	
PLATE, FRICTION (Ref # 15)	13088-1104	
PLATE CLUTCH STEEL (Ref # 16)	13089-003	
PLATE CLUTCH OUTER (Ref # 17)	13090-002	
PIN DOWEL 7X10 (Ref # 18)	610A0710	
PLATE ASSY CLTH RELSE (Ref # 19)	13102-003	
THRUST BALL ASSY CLTH (Ref # 20)	13110-003	
SPRING GEAR CHNG LEV (Ref # 21)	92083-011	
PLATE CLTH RELESE CAM (Ref # 22)	13119-003	
SCREW PAN HEAD 6X12 (Ref # 23)	220B0612	
SCREW SLOTTED (Ref # 24)	291Z0622	
NUT 6MM (Ref # 25)	312B0600	
BALL STEEL 5/16" (Ref # 26)	600A1000	