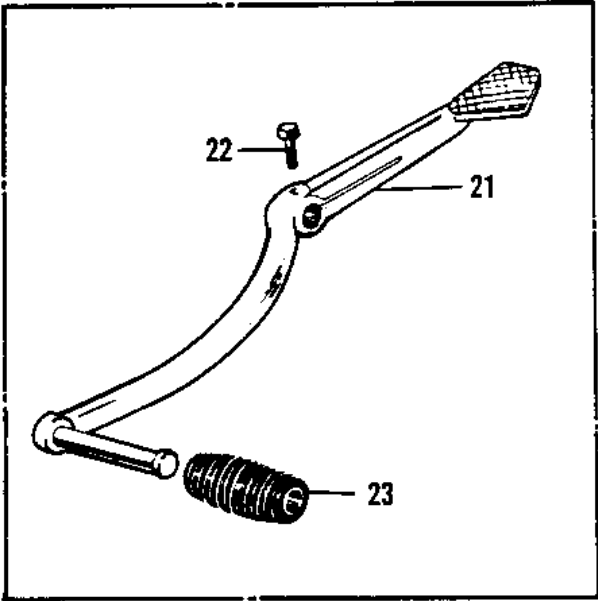
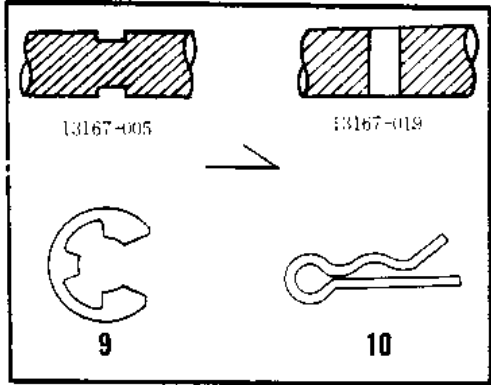
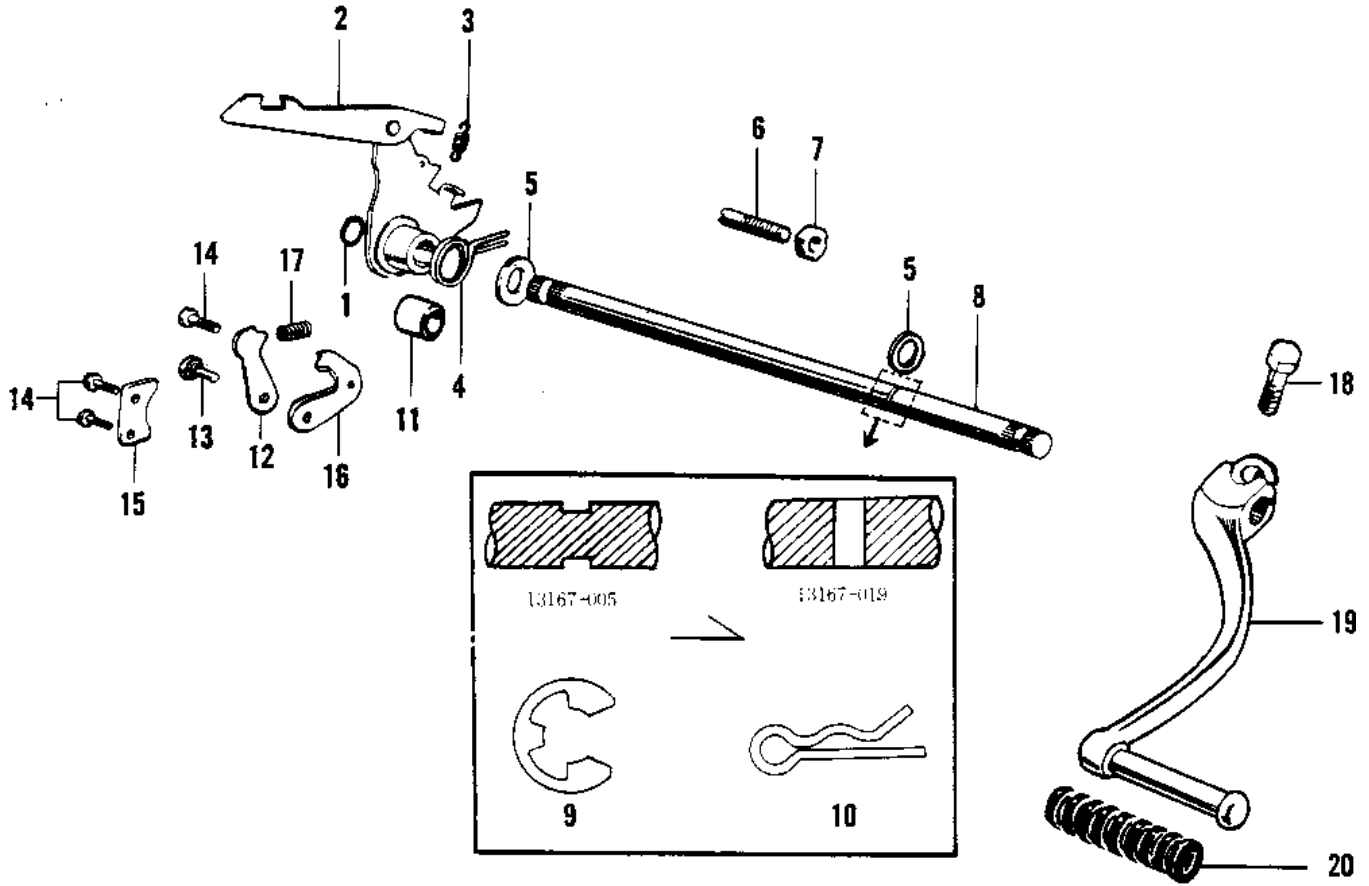


1968 Bushwhacker PARTS DIAGRAM

GEAR CHANGE MECHANISM



1968 Bushwhacker PARTS LIST

GEAR CHANGE MECHANISM

| ITEM NAME | PART NUMBER | QUANTITY |
|-------------------------------------|-------------|----------|
| CIRCLIP 10MM (Ref # 1) | 92033-002 | |
| LEVER-COMP-CHANGE (Ref # 2) | 13161-5002 | |
| LEVER ASSY,GEAR CHANG (Ref # 2) | 13161-037 | |
| SPRING GEAR CHNG LEV (Ref # 3) | 92083-011 | |
| SPRING,TENTION (Ref # 4) | 92081-1129 | |
| UNAVAILABLE IN PRICE BOOK (Ref # 4) | 92083-1129 | |
| WASER 12MM (Ref # 5) | 92022-003 | |
| BOLT,RETURN SPRING (Ref # 6) | 92001-1401 | |
| BOLT,RETURN SPRING (Ref # 6) | 92001-1401 | |
| NUT 8MM (Ref # 7) | 312B0800 | |
| UNAVAILABLE IN PRICE BOOK (Ref # 8) | 13167-005 | |
| LEVER-COMP-CHANGE (Ref # 8) | 13161-5002 | |
| LEVER ASSY,GEAR CHANG (Ref # 8) | 13161-037 | |
| CIRCLIP 10MM (Ref # 9) | 482J0100 | |
| COTTER PIN (Ref # 10) | 92041-004 | |
| COLLAR (Ref # 11) | 92027-121 | |
| LEVER GEAR CHNG DRUM (Ref # 12) | 13168-003 | |
| SCREW CHANGE DRUM LEV (Ref # 13) | 92011-001 | |
| SCREW PAN HEAD 6X14 (Ref # 14) | 220B0614 | |
| PLATE DRUM LEV POSTON (Ref # 15) | 13169-001 | |
| PLATE CHANGE DRUM LEV (Ref # 16) | 13170-003 | |
| SPRING,CHNG DRUM LEVR (Ref # 17) | 92081-004 | |
| BOLT-UPSET,6X20 (Ref # 18) | 112G0620 | |
| PEDAL GEAR CHANGE (Ref # 19) | 13156-019 | |
| RUBBER CHANGE PEDAL (Ref # 20) | 13157-004 | |
| PEDAL GEAR CHANGE (Ref # 21) | 13156-012 | |
| BOLT-UPSET (Ref # 22) | 112G0625 | |
| RUBBER CHANGE PEDAL A (Ref # 23) | 13157-002 | |