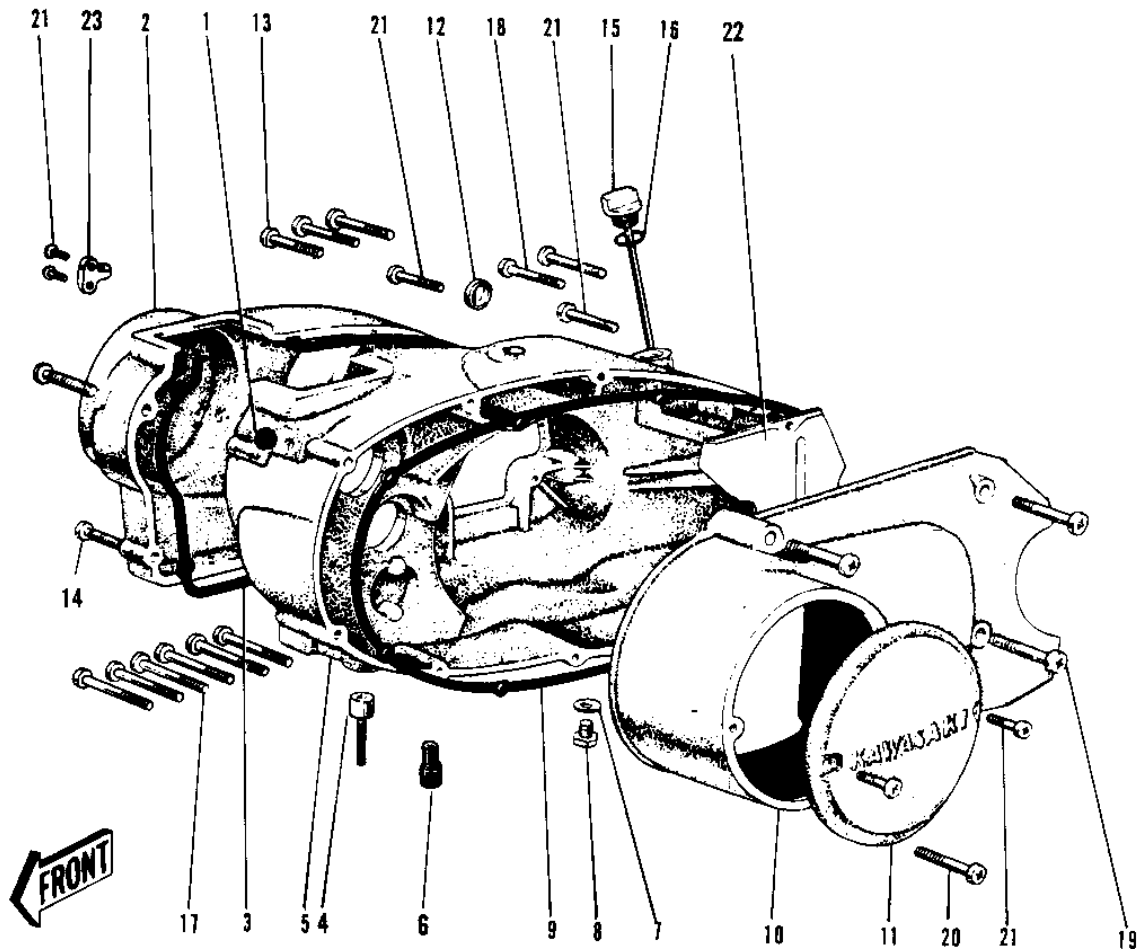
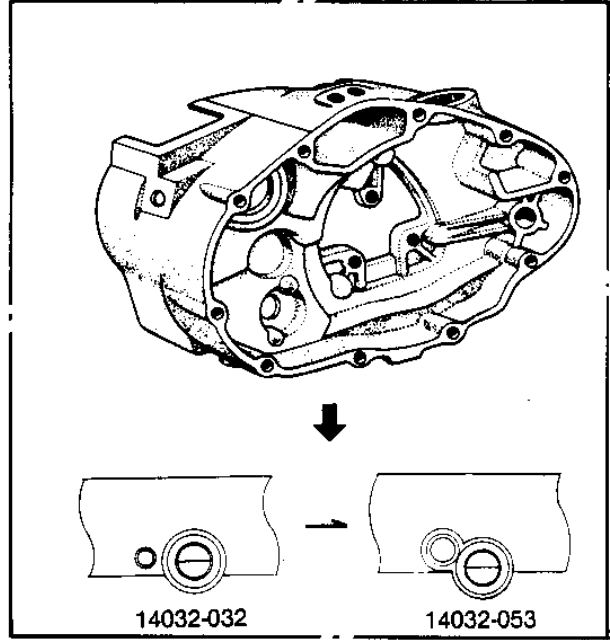


1968 Bushwhacker PARTS DIAGRAM

ENGINE COVERS



1968 Bushwhacker PARTS LIST

ENGINE COVERS

ITEM NAME	PART NUMBER	QUANTITY
CAP CARB MOUNT HOLE (Ref # 1)	14039-001	
COVER,CARBURETOR (Ref # 2)	14030-063	
GASKET CARBURETOR COV (Ref # 3)	14047-003	
PIPE FUEL OVERFLOW (Ref # 4)	16116-001	
EQ PANT FLGRN/BU/GY32 (Ref # 5)	14032-032A	
COVER-R.H ENGINE (Ref # 5)	14032-053	
DRAIN-OVERFLOW (Ref # 6)	16116-004	
GASKET CHECK VALVE (Ref # 7)	92065-058	
PLUG OIL DRAIN (Ref # 8)	92067-001	
GASKET R.H ENGINE COV (Ref # 9)	14046-005	
COVER L.H ENGINE (Ref # 10)	14031-022	
COVER CONTACT BREAKER (Ref # 11)	14027-006	
OIL SEAL SB16244 (Ref # 12)	92049-002	
SCREW PAN HEAD 6X35 (Ref # 13)	220B0635	
SCREW PAN HEAD 6X25 (Ref # 14)	220B0625	
PLUG OIL FILLER (Ref # 15)	16115-003	
"O" RING,20MM (Ref # 16)	670B2020	
SCREW PAN HEAD 6X70 (Ref # 17)	220B0670	
SCREW PAN HEAD 6X60 (Ref # 18)	220B0660	
SCREW PAN HEAD 6X55 (Ref # 19)	220B0655	
SCREW PAN HEAD 6X50 (Ref # 20)	220B0650	
SCREW PAN HEAD 6X25 (Ref # 21)	220B0625	
COVER DRV CHAIN BACK (Ref # 22)	14024-002	
GUIDE OIL PUMP CABLE (Ref # 23)	14044-003	