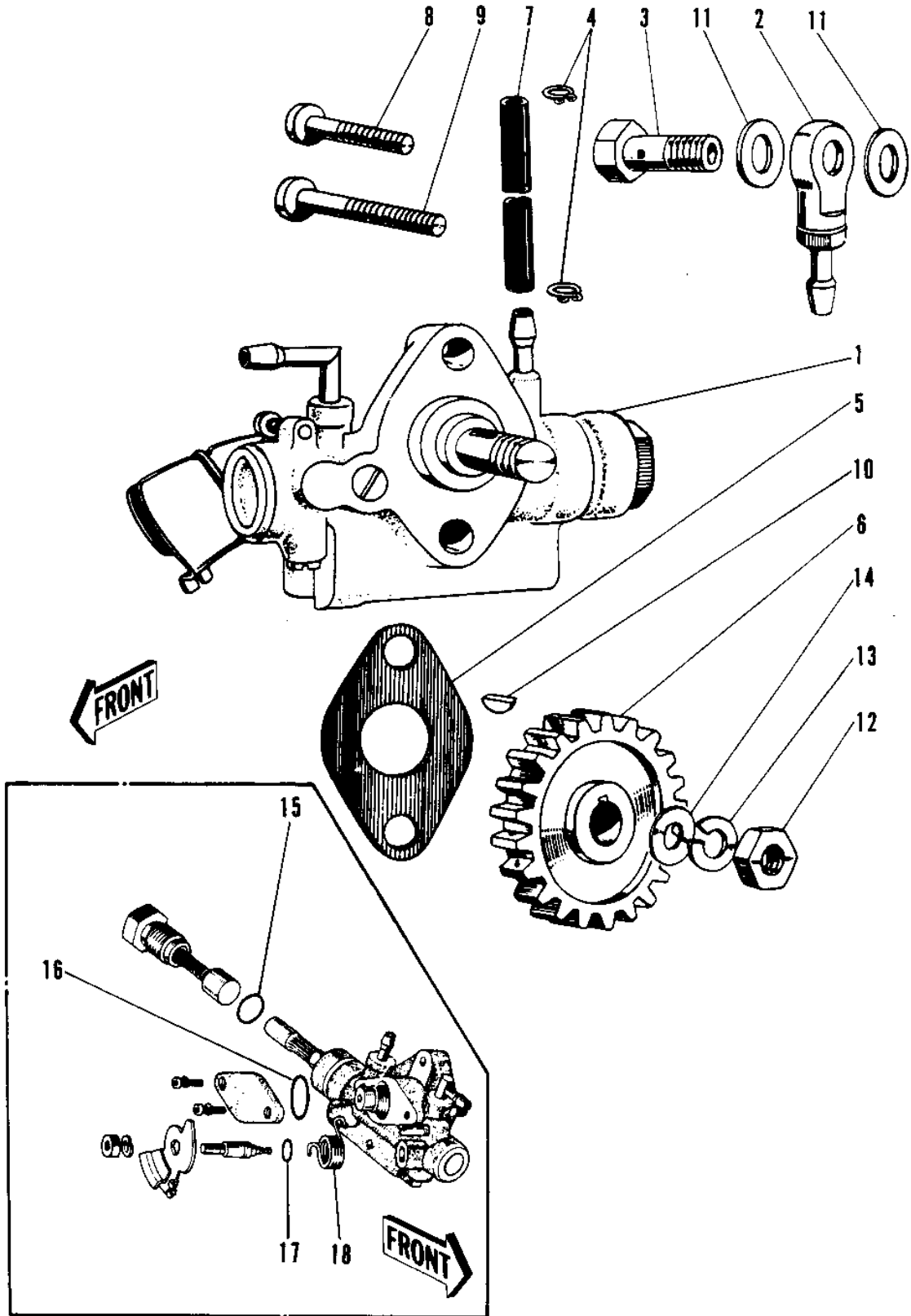


# 1970 Bushwhacker PARTS DIAGRAM

## OIL PUMP



# 1970 Bushwhacker PARTS LIST

## OIL PUMP

ITEM NAME	PART NUMBER	QUANTITY
OIL PUMP ASSY (Ref # 1)	16082-010	
CHECK VALVE (Ref # 2)	16087-002	
BOLT BANJO 8X21 (Ref # 3)	92060-014	
BOLT BANJO 8X21 (Ref # 3)	92060-014	
CLAMP OIL PIPE (Ref # 4)	92037-019	
GASKET,OIL PUMP (Ref # 5)	11060-1160	
GEAR OIL PUMP (Ref # 6)	16085-003	
TUBE (Ref # 7)	92059-074	
SCREW-PAN-CROS (Ref # 8)	220B0514	
SCREW, PAN HEAD, 5 X 28 (Ref # 9)	220B0528A	
WOODRUFF KEY (Ref # 10)	510A2500	
GASKET 8MM (Ref # 11)	751P0800	
NUT,8MM (Ref # 12)	311B0800	
WASHER SPRING 8MM (Ref # 13)	461F0800	
WASHER SPRING 8MM (Ref # 13)	461F0800	
WASHER PLAIN 8MM (Ref # 14)	410B0800	
"O" RING,HOUSING (Ref # 15)	16088-001	
"O" RING,WORM GEAR (Ref # 16)	16090-001	
SEAL-OIL,CAMSHAFT,"X" (Ref # 17)	92049-1294	
SPRING OIL PUMP LEVER (Ref # 18)	16093-001	