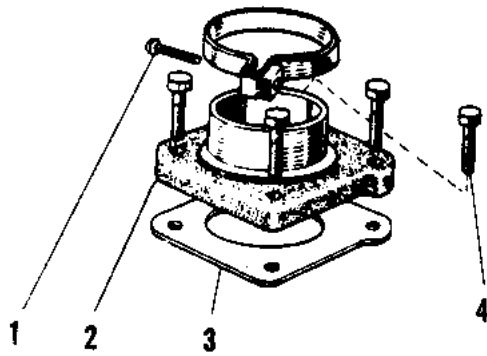
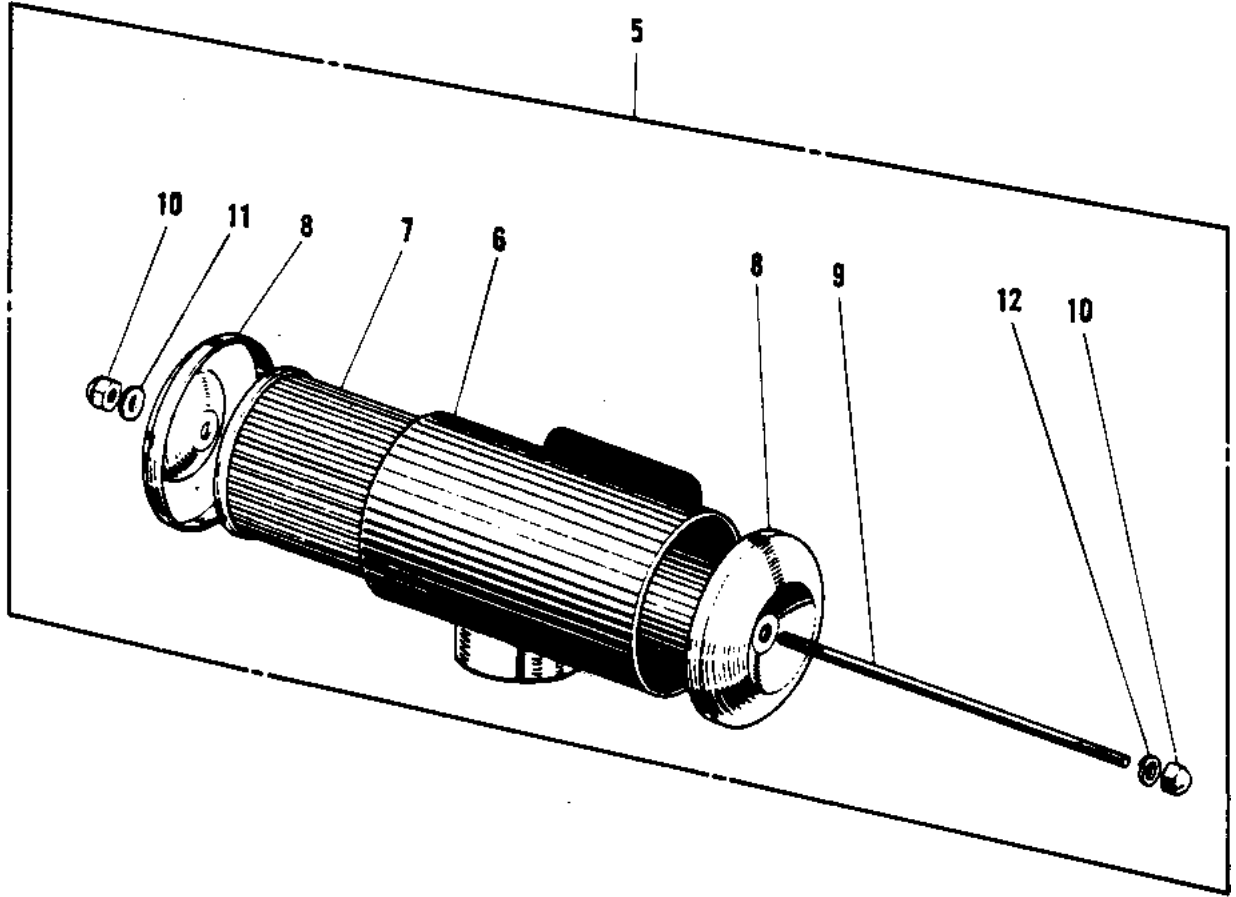


1969 Bushwhacker PARTS DIAGRAM

AIR CLEANER



1969 Bushwhacker PARTS LIST

AIR CLEANER

ITEM NAME	PART NUMBER	QUANTITY
SCREW PAN HEAD 6X25 (Ref # 1)	220B0625	
INLET PIPE (Ref # 2)	11015-013	
INLET PIPE (Ref # 2)	11015-009	
GASKET INLET PIPE (Ref # 3)	11017-002	
BOLT-UPSET,6X20 (Ref # 4)	112G0620	
AIR CLEANER ASSY (Ref # 5)	11010-033	
BODY AIR CLEANER (Ref # 6)	11011-006	
BODY,AIR CLEANER (Ref # 6)	11011-006-10	
ELEMENT AIR CLEANER (Ref # 7)	11013-011	
AIR CLEANER ASSY (Ref # 7)	11010-033	
CAP AIR CLEANER (Ref # 8)	11012-007	
BOLT AIRCLEANER (Ref # 9)	92091-016	
NUT-6MM (Ref # 10)	322N0600	
NUT-6MM (Ref # 10)	322N0600	
WASHER PLAIN 6MM (Ref # 11)	410B0600	
WASHER SPRING 6MM (Ref # 12)	461F0600	