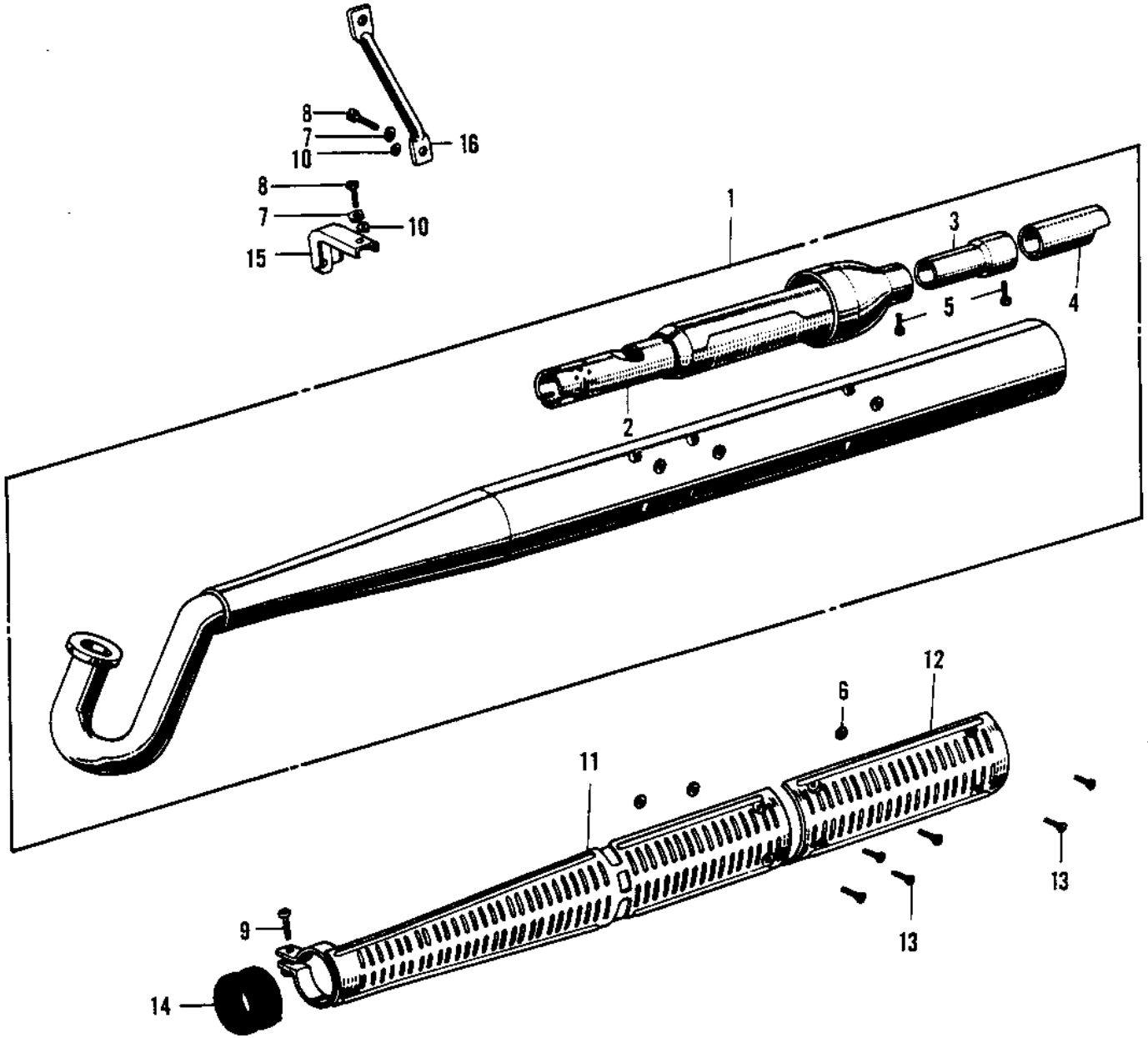


1969 Bushwhacker PARTS DIAGRAM

MUFFLER



1969 Bushwhacker PARTS LIST

MUFFLER

| ITEM NAME | PART NUMBER | QUANTITY |
|----------------------------------|-------------|----------|
| MUFFLER ASSY (Ref # 1) | 18002-027 | |
| SPARK ARRESTOR COMP (Ref # 2) | 18033-018 | |
| BAFFLE TUBE (Ref # 3) | 18033-039 | |
| TAIL PIECE (Ref # 4) | 18048-006 | |
| BOLT,6X10 (Ref # 5) | 112G0610 | |
| INSULATOR (Ref # 6) | 18065-001 | |
| WASHER SPRING 8MM (Ref # 7) | 461F0800 | |
| WASHER SPRING 8MM (Ref # 7) | 461F0800 | |
| BOLT-SMALL-UPSET,8X16 (Ref # 8) | 115G0816 | |
| SCREW PAN HEAD 6X20 (Ref # 9) | 220B0620 | |
| WASHER PLAIN 8MM (Ref # 10) | 410B0800 | |
| COVER MUFFLER FRONT (Ref # 11) | 18057-011 | |
| COVER MUFFLER REAR (Ref # 12) | 18057-019 | |
| SCREW PAN HEAD 6X10 (Ref # 13) | 221E0610 | |
| SPACER MUFFLER COVER (Ref # 14) | 18061-014 | |
| BRACKET MUFFLER FRONT (Ref # 15) | 18061-015 | |
| BRACKET MUFFLER REAR (Ref # 16) | 18061-016 | |