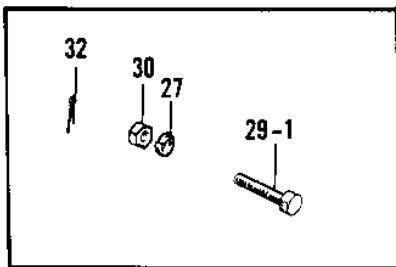
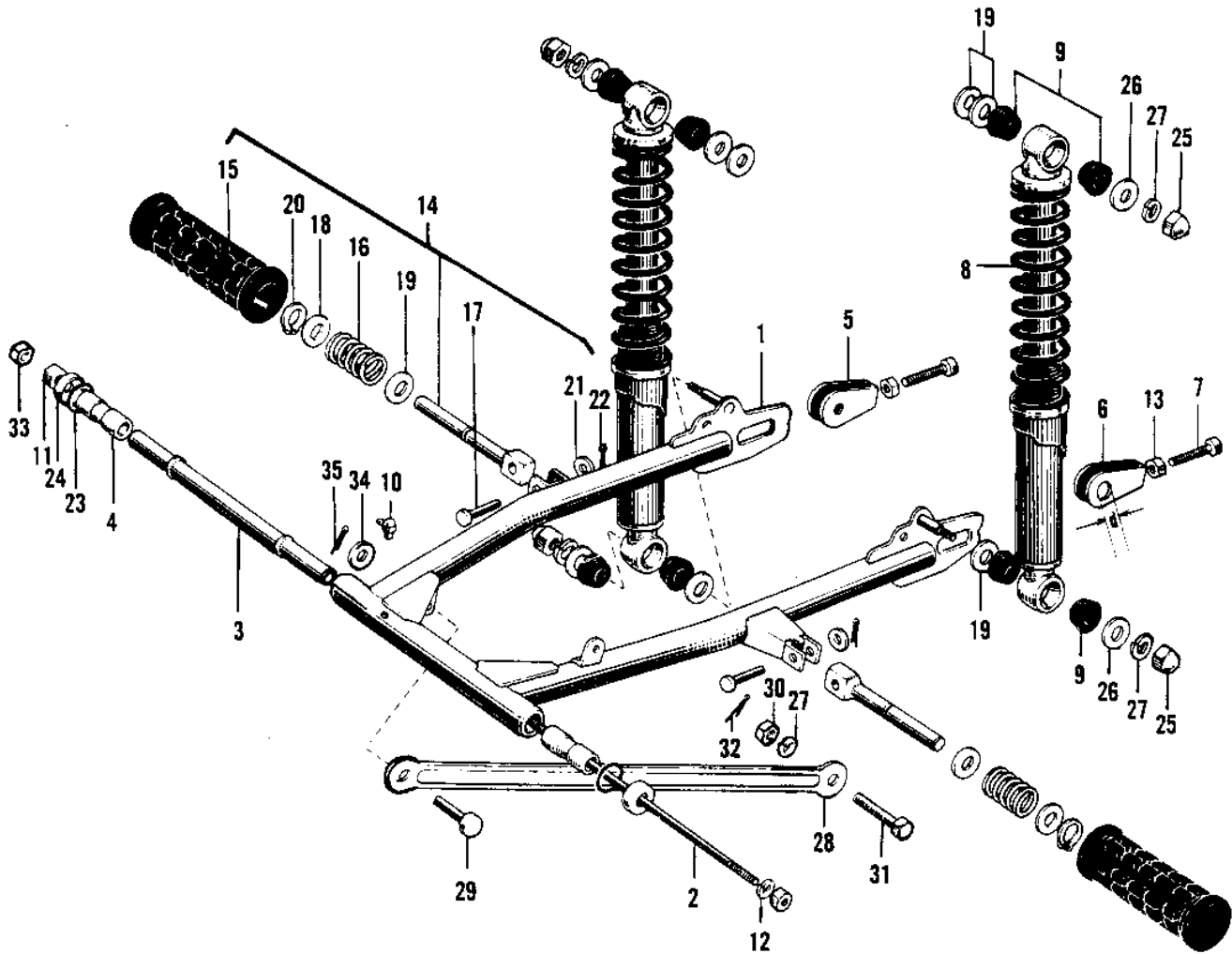
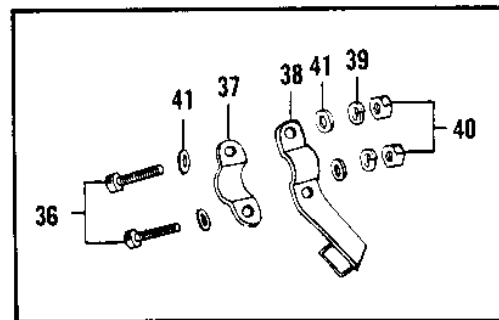


1968 Bushwhacker PARTS DIAGRAM

SWING ARM/SHOCK ABSORBERS



'69-'70 Front Torque Link Fitting



'69-'70 W / Dual Sprockets



1968 Bushwhacker PARTS LIST

SWING ARM/SHOCK ABSORBERS

ITEM NAME	PART NUMBER	QUANTITY
ARM SWING (Ref # 1)	33001-015	
ARM SWINGING (Ref # 1)	33001-010	
SHAFT SWING ARM PIVOT (Ref # 2)	33032-022	
COLLAR SWING ARM (Ref # 3)	33036-001	
SLEEVE SWING ARM (Ref # 4)	33034-001	
ADJUSTER CHAIN R.H (Ref # 5)	33040-024	
ADJUSTER CHAIN R.H (Ref # 5)	33040-030	
ADJUSTER CHAIN L.H (Ref # 6)	33040-031	
ADJUSTER CHAIN L.H (Ref # 6)	33040-031	
BOLT CHAIN ADJUST (Ref # 7)	92001-009	
BOLT,8X50 (Ref # 7)	92001-1399	
SHOCK ABSBR RR (Ref # 8)	45014-051	
BUSH RUBB RR SHCK ABS (Ref # 9)	45017-002	
GREASE NIPPLE (Ref # 10)	92005-002	
NUT,12MM (Ref # 11)	314G1200A	
NUT-HEX-FINE (Ref # 11)	314B1200	
WASHER SPRING 12MM (Ref # 12)	461F1200	
NUT 6MM (Ref # 13)	312B0600	
NUT 8MM (Ref # 13)	312B0800	
FOOTREST ASSY REAR (Ref # 14)	34027-004	
RUBBER REAR FOOTREST (Ref # 15)	92076-007	
SPRING FOOTREST FOLD (Ref # 16)	34031-001	
PIN FOOTREST FIT (Ref # 17)	92043-047	
WASHER FOLDING PEG (Ref # 18)	92022-050	
WASHER PLAIN 14MM (Ref # 19)	410B1400	
CIRCLIP 14MM (Ref # 20)	480J1400	
WASHER PLAIN 8MM (Ref # 21)	410B0800	
PIN COTTER 2.5X16 (Ref # 22)	550D2516	
DUST SHIELD PIVOT SFT (Ref # 23)	92093-004	

1968 Bushwhacker PARTS LIST

SWING ARM/SHOCK ABSORBERS

ITEM NAME	PART NUMBER	QUANTITY
HOLDER DUST SHIELD (Ref # 24)	33035-001	
NUT SHOCK ABSORBER (Ref # 25)	92020-003	
WASHER-PL-10.5X26X2.3 (Ref # 26)	92022-044	
WASHER SPRING 10MM (Ref # 27)	461F1000	
TORQUE LINK REAR BRK (Ref # 28)	43007-007	
TORQUE LINK REAR BRK (Ref # 28)	43007-018	
PIN REAR TORQUE LINK (Ref # 29)	43009-001	
BOLT TORQUE LINK FIT (Ref # 29-1)	92003-017	
NUT,10MM (Ref # 30)	314B1000	
BOLT HEX HEAD 10X25 (Ref # 31)	92003-003	
PIN COTTER 2.0X15 (Ref # 32)	550D2015	
NUT-HEX-FINE,12MM (Ref # 33)	315B1200	
NUT-HEX-FINE,12MM (Ref # 33)	315B1200	
WASHER PLAIN 10MM (Ref # 34)	410B1000	
PIN COTTER 2.5X20 (Ref # 35)	550D2520	
BOLT,8X20 (Ref # 36)	115G0820	
BRACKET CHAIN GUARD (Ref # 37)	55021-002	
BODY CHAIN GUARD (Ref # 38)	55020-002	
WASHER SPRING 8MM (Ref # 39)	461F0800	
NUT,8MM (Ref # 40)	311B0800	
WASHER PLAIN 8MM (Ref # 41)	411B0800	