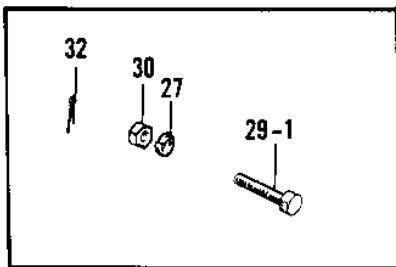
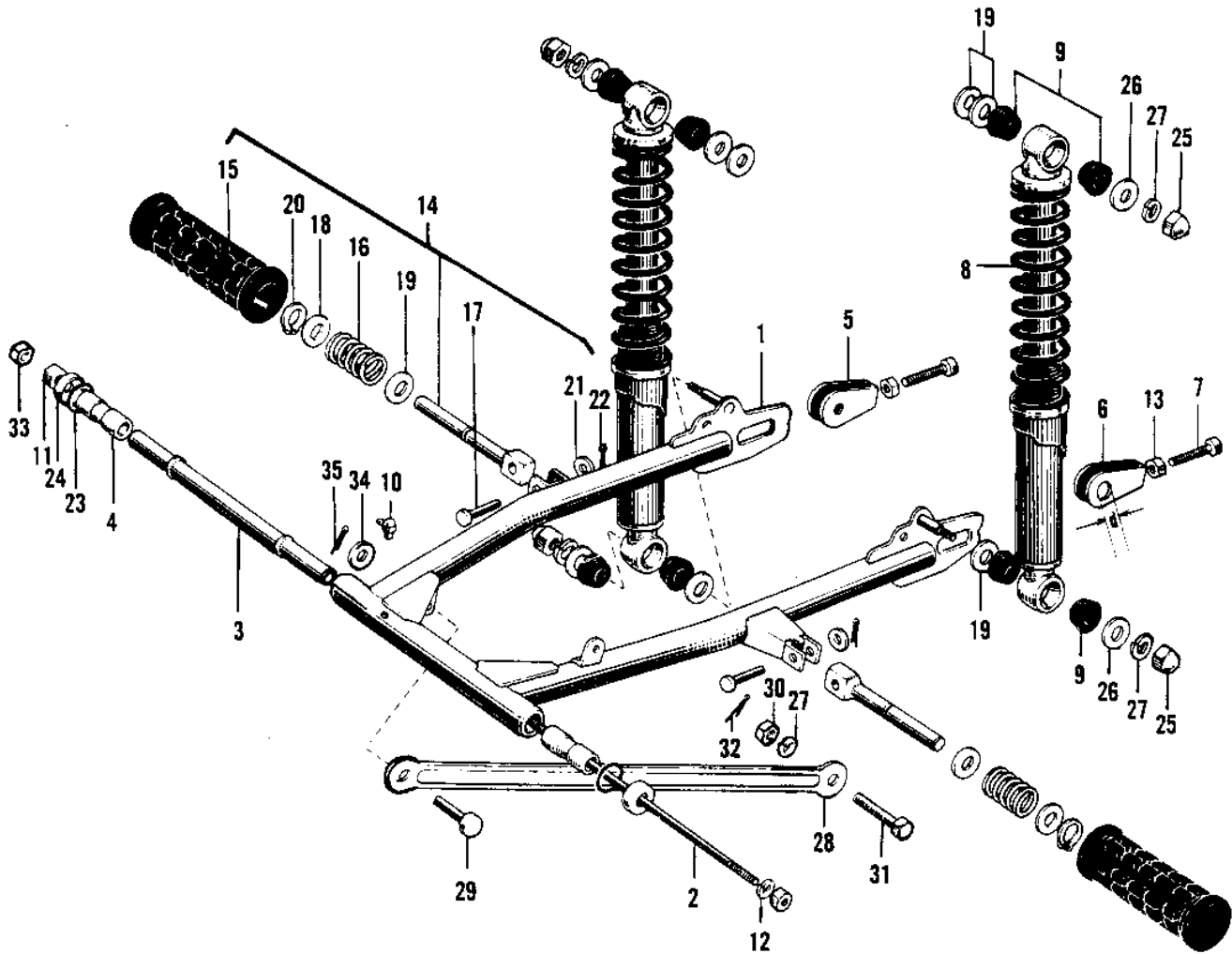
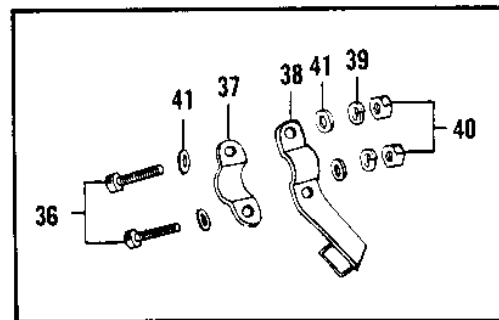


# 1969 Bushwhacker PARTS DIAGRAM

SWING ARM/SHOCK ABSORBERS



'69-'70 Front Torque Link Fitting



'69-'70 W / Dual Sprockets



# 1969 Bushwhacker PARTS LIST

## SWING ARM/SHOCK ABSORBERS

| ITEM NAME                        | PART NUMBER | QUANTITY |
|----------------------------------|-------------|----------|
| ARM SWING (Ref # 1)              | 33001-015   |          |
| ARM SWINGING (Ref # 1)           | 33001-010   |          |
| SHAFT SWING ARM PIVOT (Ref # 2)  | 33032-022   |          |
| COLLAR SWING ARM (Ref # 3)       | 33036-001   |          |
| SLEEVE SWING ARM (Ref # 4)       | 33034-001   |          |
| ADJUSTER CHAIN R.H (Ref # 5)     | 33040-024   |          |
| ADJUSTER CHAIN R.H (Ref # 5)     | 33040-030   |          |
| ADJUSTER CHAIN L.H (Ref # 6)     | 33040-031   |          |
| ADJUSTER CHAIN L.H (Ref # 6)     | 33040-031   |          |
| BOLT CHAIN ADJUST (Ref # 7)      | 92001-009   |          |
| BOLT,8X50 (Ref # 7)              | 92001-1399  |          |
| SHOCK ABSBR RR (Ref # 8)         | 45014-051   |          |
| BUSH RUBB RR SHCK ABS (Ref # 9)  | 45017-002   |          |
| GREASE NIPPLE (Ref # 10)         | 92005-002   |          |
| NUT,12MM (Ref # 11)              | 314G1200A   |          |
| NUT-HEX-FINE (Ref # 11)          | 314B1200    |          |
| WASHER SPRING 12MM (Ref # 12)    | 461F1200    |          |
| NUT 6MM (Ref # 13)               | 312B0600    |          |
| NUT 8MM (Ref # 13)               | 312B0800    |          |
| FOOTREST ASSY REAR (Ref # 14)    | 34027-004   |          |
| RUBBER REAR FOOTREST (Ref # 15)  | 92076-007   |          |
| SPRING FOOTREST FOLD (Ref # 16)  | 34031-001   |          |
| PIN FOOTREST FIT (Ref # 17)      | 92043-047   |          |
| WASHER FOLDING PEG (Ref # 18)    | 92022-050   |          |
| WASHER PLAIN 14MM (Ref # 19)     | 410B1400    |          |
| CIRCLIP 14MM (Ref # 20)          | 480J1400    |          |
| WASHER PLAIN 8MM (Ref # 21)      | 410B0800    |          |
| PIN COTTER 2.5X16 (Ref # 22)     | 550D2516    |          |
| DUST SHIELD PIVOT SFT (Ref # 23) | 92093-004   |          |

# 1969 Bushwhacker PARTS LIST

## SWING ARM/SHOCK ABSORBERS

| ITEM NAME                         | PART NUMBER | QUANTITY |
|-----------------------------------|-------------|----------|
| HOLDER DUST SHIELD (Ref # 24)     | 33035-001   |          |
| NUT SHOCK ABSORBER (Ref # 25)     | 92020-003   |          |
| WASHER-PL-10.5X26X2.3 (Ref # 26)  | 92022-044   |          |
| WASHER SPRING 10MM (Ref # 27)     | 461F1000    |          |
| TORQUE LINK REAR BRK (Ref # 28)   | 43007-007   |          |
| TORQUE LINK REAR BRK (Ref # 28)   | 43007-018   |          |
| PIN REAR TORQUE LINK (Ref # 29)   | 43009-001   |          |
| BOLT TORQUE LINK FIT (Ref # 29-1) | 92003-017   |          |
| NUT,10MM (Ref # 30)               | 314B1000    |          |
| BOLT HEX HEAD 10X25 (Ref # 31)    | 92003-003   |          |
| PIN COTTER 2.0X15 (Ref # 32)      | 550D2015    |          |
| NUT-HEX-FINE,12MM (Ref # 33)      | 315B1200    |          |
| NUT-HEX-FINE,12MM (Ref # 33)      | 315B1200    |          |
| WASHER PLAIN 10MM (Ref # 34)      | 410B1000    |          |
| PIN COTTER 2.5X20 (Ref # 35)      | 550D2520    |          |
| BOLT,8X20 (Ref # 36)              | 115G0820    |          |
| BRACKET CHAIN GUARD (Ref # 37)    | 55021-002   |          |
| BODY CHAIN GUARD (Ref # 38)       | 55020-002   |          |
| WASHER SPRING 8MM (Ref # 39)      | 461F0800    |          |
| NUT,8MM (Ref # 40)                | 311B0800    |          |
| WASHER PLAIN 8MM (Ref # 41)       | 411B0800    |          |