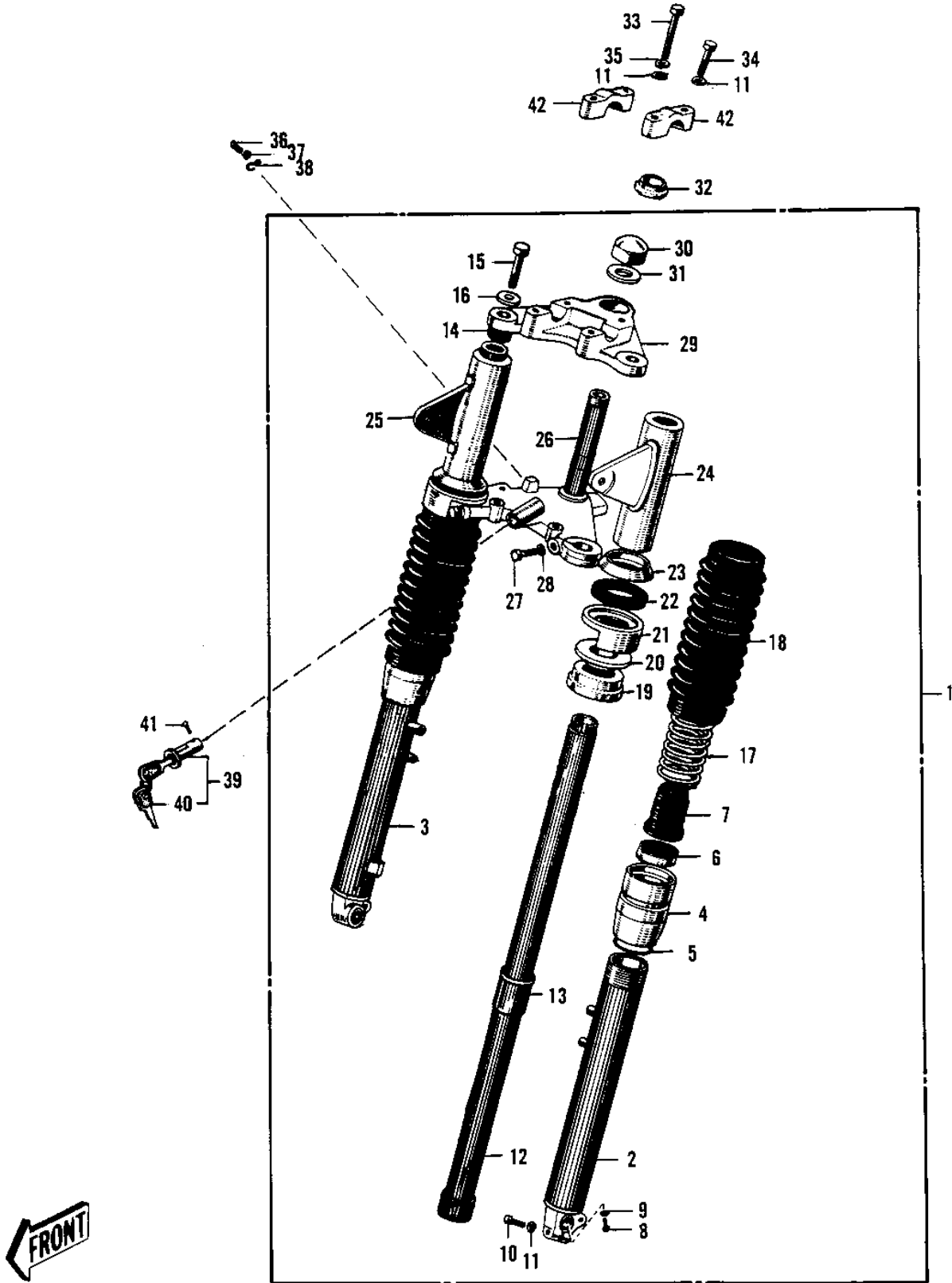


# 1968 Bushwhacker PARTS DIAGRAM

FRONT FORK ('68-'69)



# 1968 Bushwhacker PARTS LIST

## FRONT FORK ('68-'69)

| ITEM NAME                           | PART NUMBER  | QUANTITY |
|-------------------------------------|--------------|----------|
| FRONT FORK ASSY,SLVR (Ref # 1)      | 44001-031-14 |          |
| FRONT FORK ASY SILVER (Ref # 1)     | 44001-053-15 |          |
| UNAVAILABLE IN PRICE BOOK (Ref # 1) | 44001-042-15 |          |
| FRONT FORK ASSY (Ref # 1)           | 44001-042    |          |
| TUBE,LH,FORK OUTER (Ref # 2)        | 44005-016    |          |
| TUBE,RH,FORK OUTER (Ref # 3)        | 44006-014    |          |
| NUT FORK OUTER TUBE (Ref # 4)       | 44007-012    |          |
| 'O' RING OUTER TUBE (Ref # 5)       | 44046-012    |          |
| OIL SEAL (Ref # 6)                  | 92049-1049   |          |
| DUST SHIELD FORK (Ref # 7)          | 44010-004    |          |
| SCREW PAN HEAD 4X8 (Ref # 8)        | 220B0408     |          |
| GASKET FORK DRAIN PLG (Ref # 9)     | 44045-002    |          |
| BOLT-SMALL-UPSET 8X25 (Ref # 10)    | 115G0825     |          |
| WASHER SPRING 8MM (Ref # 11)        | 461F0800     |          |
| TUBE FORK INNER (Ref # 12)          | 44013-013    |          |
| GUIDE FORK INNER TUBE (Ref # 13)    | 44015-009    |          |
| 'O' RING FRK TOP BOLT (Ref # 14)    | 44046-011    |          |
| BOLT FORK TOP (Ref # 15)            | 44041-015    |          |
| WASHER FORK TOP (Ref # 16)          | 44043-026    |          |
| SPRING FORK (Ref # 17)              | 44026-016    |          |
| SPRING FORK (Ref # 17)              | 44026-021    |          |
| COVER DUST (Ref # 18)               | 44027-008    |          |
| GUIDE DUST COVER (Ref # 19)         | 44028-013    |          |
| GUIDE FORK SPRING (Ref # 20)        | 44029-007    |          |
| RING FORK COVER (Ref # 21)          | 44030-006    |          |
| GASKET-FORK COVER (Ref # 22)        | 44045-036    |          |
| WASHER FORK COVER (Ref # 23)        | 44043-036    |          |
| COVER L.H FORK SILVER (Ref # 24)    | 44033-017-14 |          |
| COVER R.H FORK SILVER (Ref # 25)    | 44034-016-14 |          |

# 1968 Bushwhacker PARTS LIST

## FRONT FORK ('68-'69)

| ITEM NAME                            | PART NUMBER  | QUANTITY |
|--------------------------------------|--------------|----------|
| STEM STEERING (Ref # 26)             | 44037-021    |          |
| BOLT HEX HEAD 10X32 (Ref # 27)       | 113B1032     |          |
| WASHER SPRING 10MM (Ref # 28)        | 461F1000     |          |
| HEAD STEERING STEM (Ref # 29)        | 44039-018    |          |
| NUT STEERING STEM HD (Ref # 30)      | 44042-005    |          |
| WASHER STEERING STEM (Ref # 31)      | 44043-013    |          |
| CONE STERNG BERG LOW (Ref # 32)      | 92047-010    |          |
| BOLT HEX HEAD 8X45 (Ref # 33)        | 110N0845     |          |
| BOLT HEX HEAD 8X35 (Ref # 34)        | 110N0835     |          |
| WASHER PLAIN 8MM (Ref # 35)          | 410D0800     |          |
| SCREW PAN HEAD 6X12 (Ref # 36)       | 220B0612     |          |
| WASHER SPRING 8MM (Ref # 37)         | 461F0800     |          |
| CLAMP CABLE (Ref # 38)               | 92037-026    |          |
| UNAVAILABLE IN PRICE BOOK (Ref # 39) | 27017-012    |          |
| KEY SET STRNG NO.116 (Ref # 40)      | 27018-009-16 |          |
| KEY SET STRNG NO.117 (Ref # 40)      | 27018-009-17 |          |
| KEY SET STRNG NO.118 (Ref # 40)      | 27018-009-18 |          |
| KEY SET STRNG NO.119 (Ref # 40)      | 27018-009-19 |          |
| KEY SET STRNG NO.120 (Ref # 40)      | 27018-009-20 |          |
| SCREW RIVET (Ref # 41)               | 92099-001    |          |
| HOLDER UPPER HANDLEBAR (Ref # 42)    | 46012-004    |          |