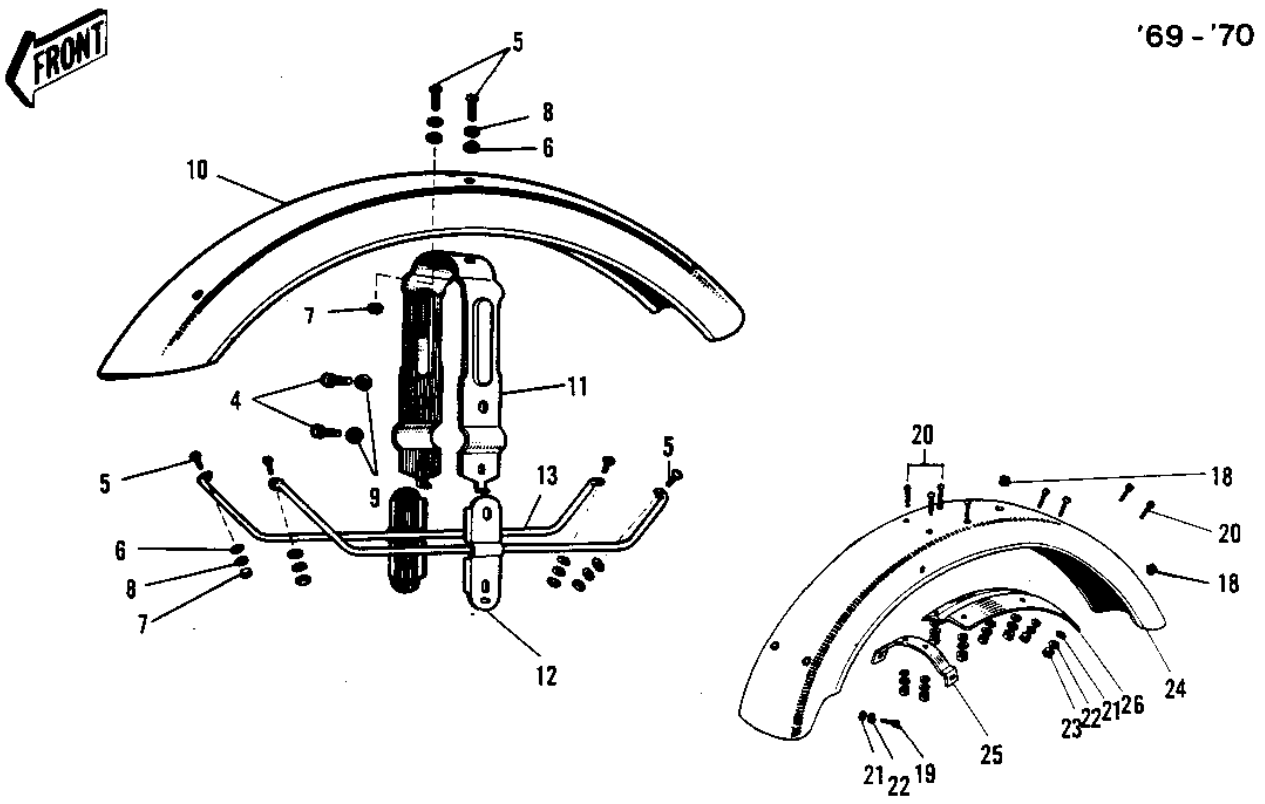
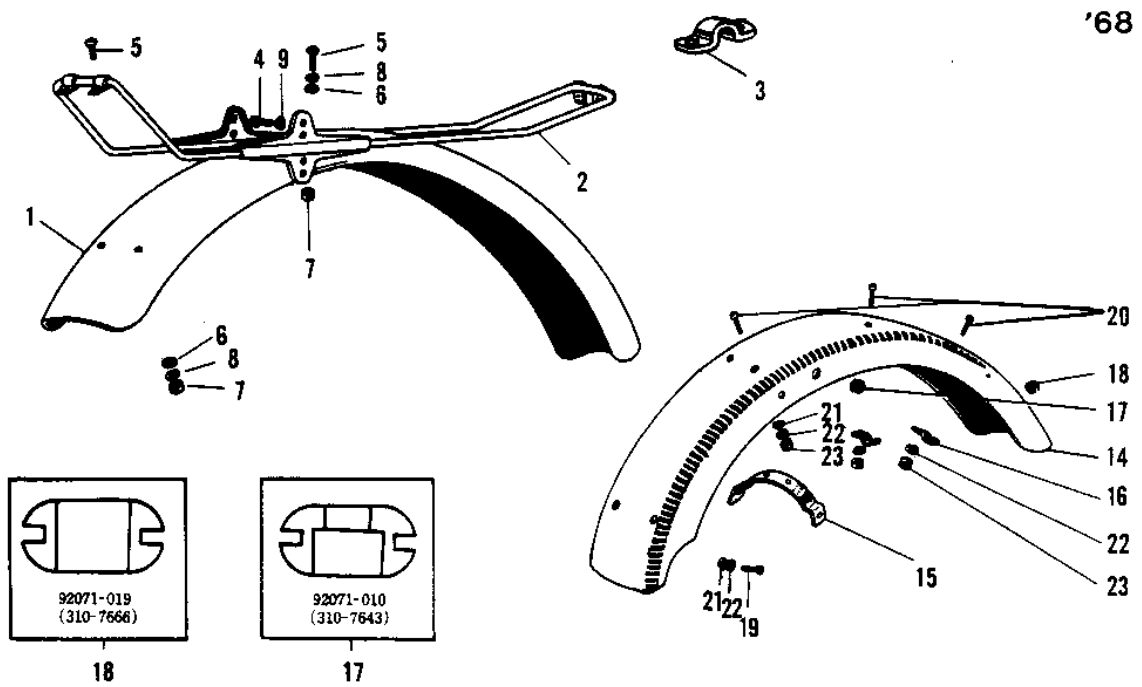


# 1968 Bushwhacker PARTS DIAGRAM

FENDERS



# 1968 Bushwhacker PARTS LIST

## FENDERS

ITEM NAME	PART NUMBER	QUANTITY
FENDER-FR (Ref # 1)	35004-028	
STAY FRONT FENDER (Ref # 2)	35011-011	
UNAVAILABLE IN PRICE BOOK (Ref # 3)	35008-004	
BOLT SMALL (Ref # 4)	114G0812	
SCREW PAN HEAD 6X10 (Ref # 5)	220E0610	
SCREW PAN HEAD 6X12 (Ref # 5)	220E0612	
WASHER PLAIN 6MM (Ref # 6)	411B0600	
WASHER PLAIN 6MM (Ref # 6)	411B0600	
NUT 6MM (Ref # 7)	312B0600	
NUT 6MM (Ref # 7)	312B0600	
WASHER SPRING 6MM (Ref # 8)	461F0600	
WASHER SPRING 6MM (Ref # 8)	461F0600	
WASHER SPRING 8MM (Ref # 9)	461F0800	
FENDER-FR (Ref # 10)	35004-035	
BRACE FRONT FENDER (Ref # 11)	35009-013	
STAY FRONT FENDER L.H (Ref # 12)	35011-019	
STAY FRONT FENDER R.H (Ref # 13)	35011-020	
FENDER-RR (Ref # 14)	35022-027	
BRACKET REAR FENDER (Ref # 15)	35025-005	
STAY REAR FENDER (Ref # 16)	35032-002	
GROMMET HARNESS 10MM (Ref # 17)	92071-010	
GROMMET HARNESS 10MM (Ref # 18)	92071-019	
GROMMET HARNESS 10MM (Ref # 18)	92071-019	
BOLT-UPSET,6X12 (Ref # 19)	112G0612	
SCREW PAN HEAD 6X12 (Ref # 20)	220E0612	
SCREW PAN HEAD 6X14 (Ref # 20)	220E0614	
WASHER PLAIN 6MM (Ref # 21)	410B0600	
WASHER PLAIN 6MM (Ref # 21)	410B0600	
WASHER SPRING 6MM (Ref # 22)	461F0600	