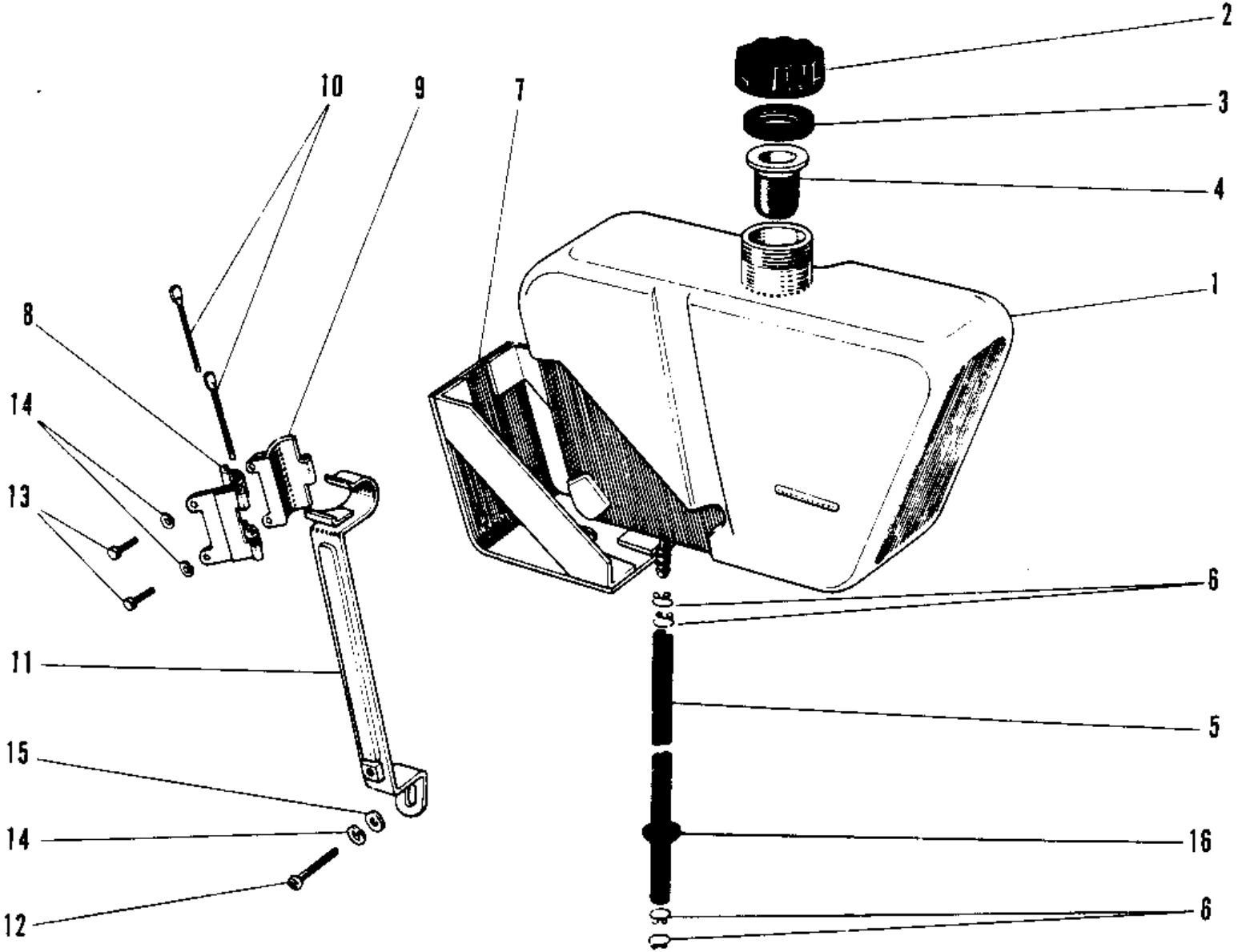


# 1970 Bushwhacker PARTS DIAGRAM

## OIL TANK



# 1970 Bushwhacker PARTS LIST

## OIL TANK

ITEM NAME	PART NUMBER	QUANTITY
TANK OIL (Ref # 1)	52001-007	
CAP OIL TANK (Ref # 2)	52003-002	
GASKET OIL TANK CAP (Ref # 3)	92065-020	
STRAINER OIL TANK CAP (Ref # 4)	52004-002	
PIPE OIL TANK (Ref # 5)	92059-024	
CLAMP FUEL PIPE (Ref # 6)	92037-010	
BASE OIL TANK (Ref # 7)	32094-002	
BRACKET OIL TANK A (Ref # 8)	32094-004	
BRACKET OIL TANK B (Ref # 9)	32094-003	
PIN OIL TANK (Ref # 10)	32111-003	
BAND OIL TANK (Ref # 11)	32100-008	
SCREW PAN HEAD 6X14 (Ref # 12)	220B0614	
BOLT-UPSET 6X14 (Ref # 13)	112B0614	
WASHER SPRING 6MM (Ref # 14)	461F0600	
WASHER PLAIN 6MM (Ref # 15)	410B0600	
GROMMET PIPE (Ref # 16)	92071-038	