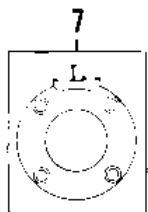
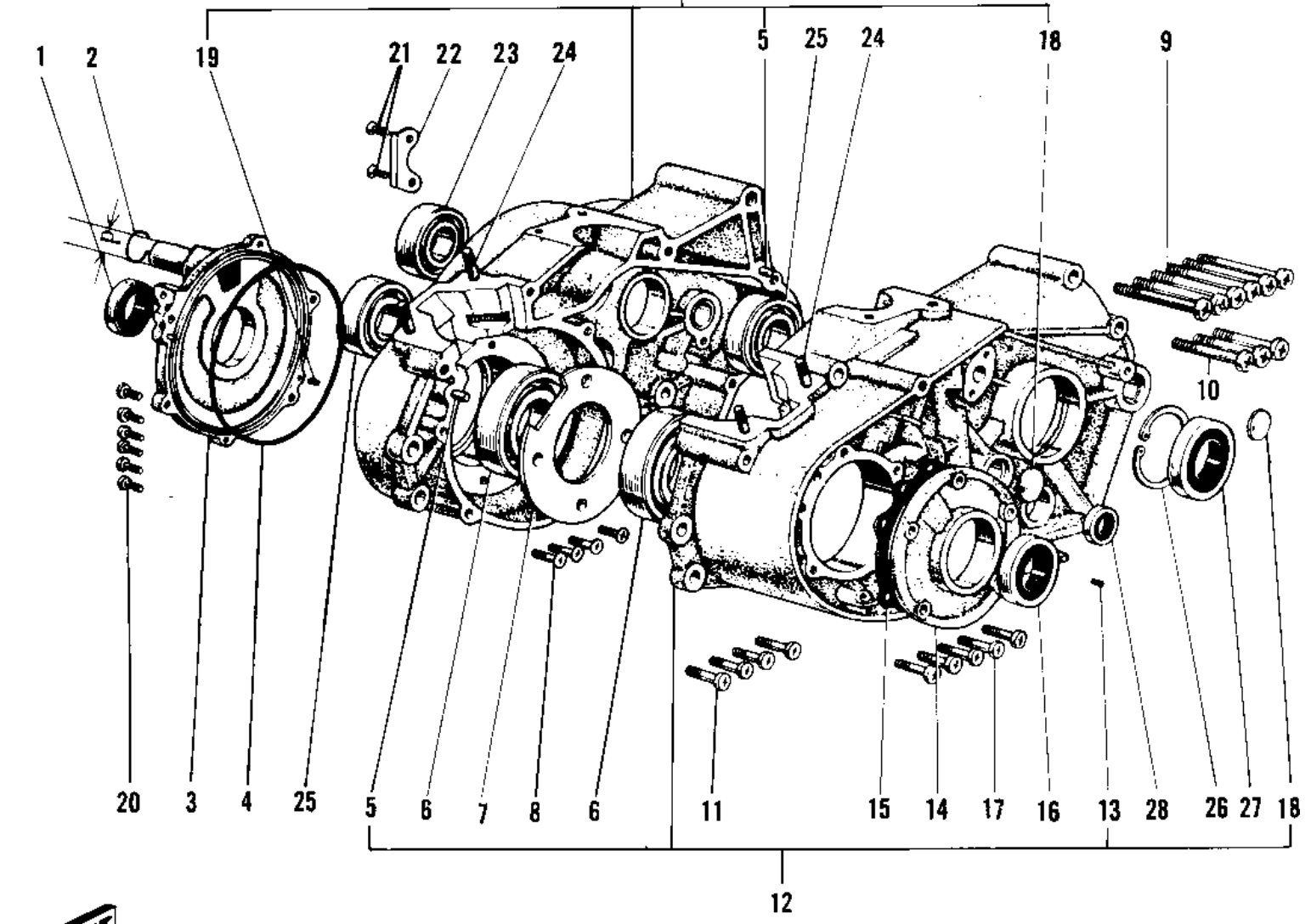


1968 Sidewinder PARTS DIAGRAM

CRANKCASE

Incl. in 12



1968 Sidewinder PARTS LIST

CRANKCASE

ITEM NAME	PART NUMBER	QUANTITY
OIL SEAL TB32457 (Ref # 1)	653B324507	
"0" RING,35MM (Ref # 2)	671B2535	
COVER ROTARY DISC VLV (Ref # 3)	14019-045	
"0" RING,126MM (Ref # 4)	92055-013	
PIN DOWEL 8X16 (Ref # 5)	551A0816	
BEARING BALL #6305 (Ref # 6)	601B6305	
HOLDER BEARING (Ref # 7)	14014-005	
SCREW CNTSNK HD 6X16 (Ref # 8)	221B0616	
SCREW PAN HEAD 6X60 (Ref # 9)	220B0660	
SCREW PAN HEAD 6X50 (Ref # 10)	220B0650	
SCREW PAN HEAD 6X45 (Ref # 11)	220B0645	
CRANKCASE SET (Ref # 12)	14001-031	
PIN DOWEL 3X12 (Ref # 13)	551A0312	
RETAINER OIL SEAL (Ref # 14)	14020-006	
GASKET OIL SEAL RETNR (Ref # 15)	14023-004	
SEAL-OIL (Ref # 16)	92049-1250	
SCREW CNTSNK HD 6X12 (Ref # 17)	221B0612	
PLUG (Ref # 18)	92084-001	
PIN DOWEL 5X12 (Ref # 19)	610A0512	
SCREW PAN HEAD 6X20 (Ref # 20)	220B0620	
SCREW PAN HEAD 6X14 (Ref # 21)	220B0614	
HOLDER BEARING (Ref # 22)	14014-004	
BEARING BALL #6203 (Ref # 23)	601B6203	
STUD 10X50 (Ref # 24)	172G1050	
BEARING BALL #6204 (Ref # 25)	601B6204	
CIRCLIP,47M/M (Ref # 26)	92033-1042	
OIL SEAL SC25476 (Ref # 27)	92050-006	
UNAVAILABLE IN PRICE BOOK (Ref # 28)	658G121805	