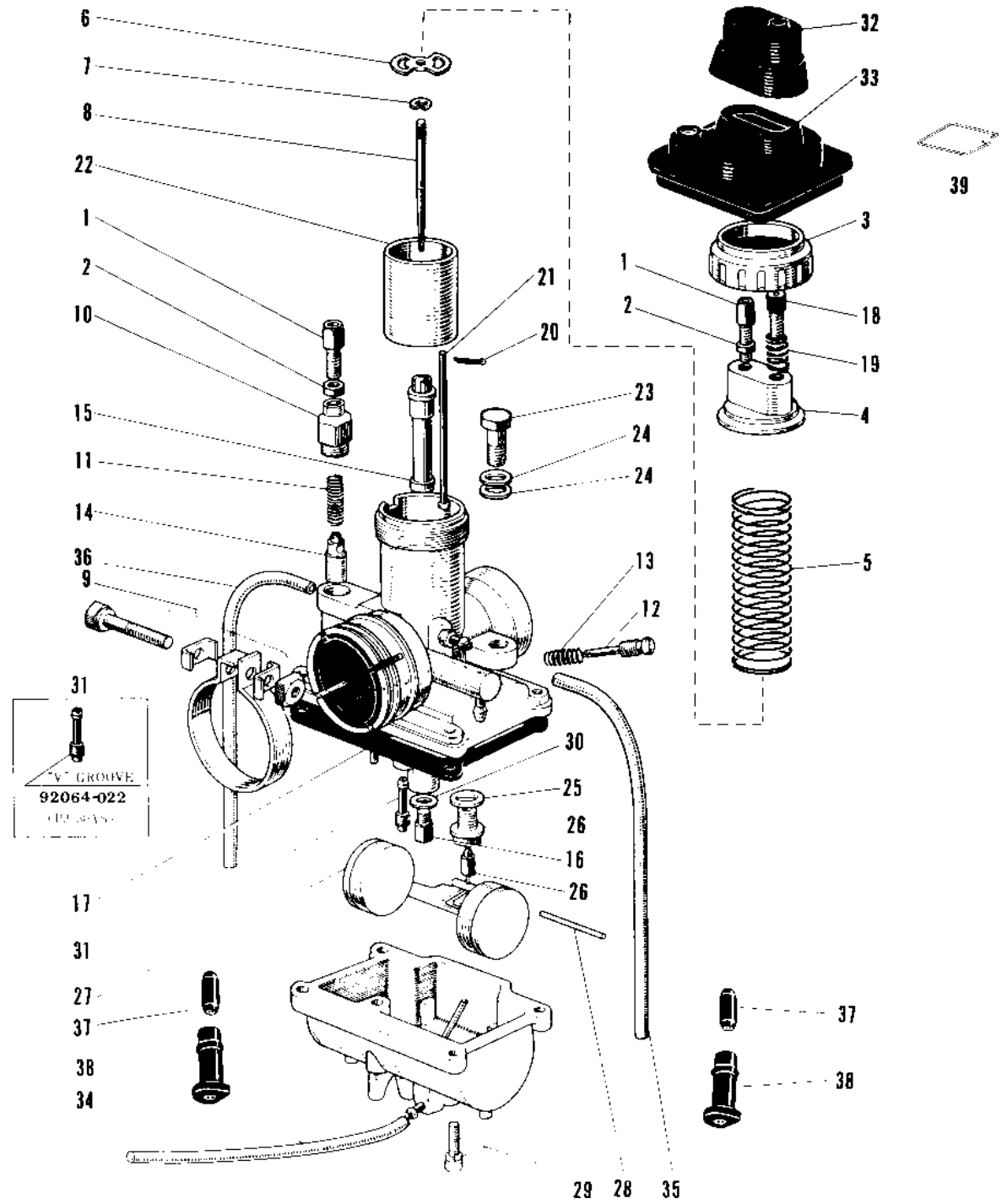


1968 Sidewinder PARTS DIAGRAM

CARBURETOR



31
"V" GROOVE
92064-022
(REPLACES)

1968 Sidewinder PARTS LIST

CARBURETOR

ITEM NAME	PART NUMBER	QUANTITY
CARBURETOR ASSY (Ref # 1 - 30)	16001-073	
CABLE ADJUSTER (Ref # 1)	16002-002	
NUT CABLE ADJUST LOCK (Ref # 2)	16003-004	
CAP MIXING CHAMBER (Ref # 3)	16004-006	
TOP MIXING CHAMBER (Ref # 4)	16005-010	
SPRING THROTTLE VALVE (Ref # 5)	16006-007	
SPRING SEAT THRTL VLV (Ref # 6)	16007-007	
CIRCLIP (Ref # 7)	16008-010	
NEEDLE-CARB-5DP7 (Ref # 8)	16009-031	
CLAMP SET CARB MOUNT (Ref # 9)	16051-002	
CAP STARTER PLUNGER (Ref # 10)	16012-006	
SPRING STARTER PLUNG (Ref # 11)	16013-005	
SCREW (Ref # 12)	16014-006	
SPRING-THR STOP SCREW (Ref # 13)	16022-007	
PLUNGER-ENRICHNER (Ref # 14)	16016-002	
NEEDLE JET O-2 (Ref # 15)	16017-039	
JET-MAIN NO 150A (Ref # 16)	92063-016	
GASKET FLOAT CHAMBER (Ref # 17)	16019-008	
SCREW,THROTTLE STOP (Ref # 18)	16021-002	
SPRING THR STOP SCREW (Ref # 19)	16022-005	
UNAVAILABLE IN PRICE BOOK (Ref # 20)	16023-001	
ROD-THROTTLE VLV STOP (Ref # 21)	16024-011	
VALVE THROTTLE CA2.5 (Ref # 22)	16025-014	
BOLT BANJO (Ref # 23)	92001-011	
GASKET 8MM (Ref # 24)	751P0800	
WASHER FLOAT VLV SEAT (Ref # 25)	16029-004	
FLOAT VALVE ASSY (Ref # 26)	16030-005	
FLOAT (Ref # 27)	16031-023	
FLOAT PIN (Ref # 28)	16032-003	

1968 Sidewinder PARTS LIST

CARBURETOR

ITEM NAME	PART NUMBER	QUANTITY
SCREW FLOAT CHAMBER (Ref # 29)	16033-008	
SCREW FLOAT CHAMBER (Ref # 29)	16033-009	
WASHER MAIN JET (Ref # 30)	16034-001	
PILOT JET #30 (Ref # 31)	92064-008	
JET-PILOT NO 30 (Ref # 31)	92064-022	
GROMMET CARB CAP (Ref # 32)	14038-010	
CAP CARBURETOR (Ref # 33)	14038-019	
PIPE FUEL OVERFLOW (Ref # 34)	92059-033	
PIPE AIR VENT A (Ref # 35)	92059-038	
PIPE AIR VENT B (Ref # 36)	92059-042	
PIPE (Ref # 37)	92098-001	
GROMMET-AIR VENT PIPE (Ref # 38)	16136-003	
HOLDER-CARBURETOR (Ref # 39)	11033-003	