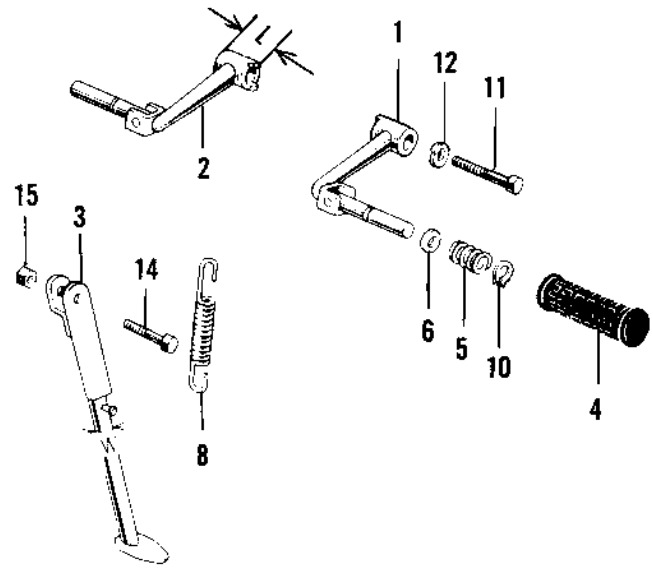
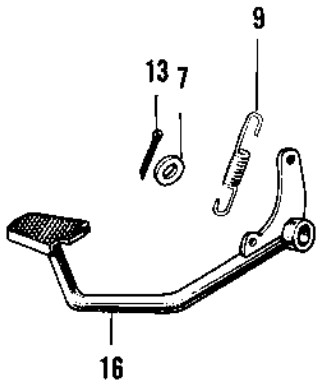
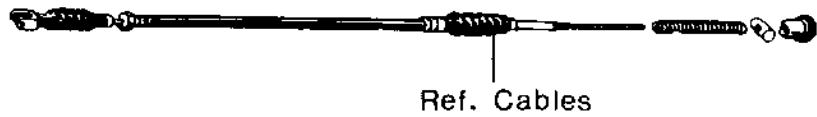


1968 Sidewinder PARTS DIAGRAM

FOOTRESTS/STAND/BRAKE PEDAL

F
—



87-



1968 Sidewinder PARTS LIST

FOOTRESTS/STAND/BRAKE PEDAL

ITEM NAME	PART NUMBER	QUANTITY
BAR FOOTREST L.H (Ref # 1)	34003-012	
BAR FOOTREST R.H (Ref # 2)	34003-014	
STAND-SIDE (Ref # 3)	34024-023	
RUBBER FOOTREST (Ref # 4)	92076-006	
SPRING FOOTREST PEG (Ref # 5)	34006-002	
WASHER FOLDING PEG (Ref # 6)	92022-049	
WASHER BRAKE PEDAL (Ref # 7)	92022-085	
SPRING,SIDE STAND (Ref # 8)	34025-001	
SPRING BRAKE PEDAL (Ref # 9)	43005-008	
CIRCLIP 16MM (Ref # 10)	480J1600	
BOLT HEX HEAD 12X63 (Ref # 11)	113G1263	
BOLT HEX HEAD 12X63 (Ref # 11)	113G1263A	
WASHER SPRING 12MM (Ref # 12)	461F1200	
PIN COTTER 3.0X30 (Ref # 13)	550D3030	
BOLT,HEX HEAD 10X35 (Ref # 14)	92001-1252	
NUT 10MM (Ref # 15)	315B1000	
PEDAL BRAKE (Ref # 16)	43001-026	